

MAJOR STOP flange adaptor for U-PVC and PE pipes - Series C1 35

Enables self-locked mechanical jointing of a flange and a pipe.



Description

- High performance:
 - Guaranteed sealing with shut-off seal and antilflow ring.
 - Corrosion protection: epoxy powder coating.
- Ease and speed of installation:
 - Angular deflection: ± 3 .
 - Single bolting.
- Conformity to standards:
 - EN 1092-2: Flanges and their joints. Circular flanges for pipes, valves, fittings and accessories, PN designated. Part 2: Cast iron flanges.
 - EN 12842: Ductile iron fittings for U-PVC or PE piping systems. Requirements and test methods.
 - ISO 2531: Ductile iron pipes, fittings and accessories and their joints for water applications
 - ISO 7005-2: Metallic flanges and cast iron flanges.
 - ISO 7483: Dimensions of gaskets for use with flanges to ISO 7005.
- Approval:
 - French approval for drinking water consumption.
- Nota:
 - This hardened coupling accommodates the end load due to the working pressure. It does not prevent from the magnitude of the pipe system.
 - Vertical assembly upward is not allowed, please refer to W06006 installation notice.

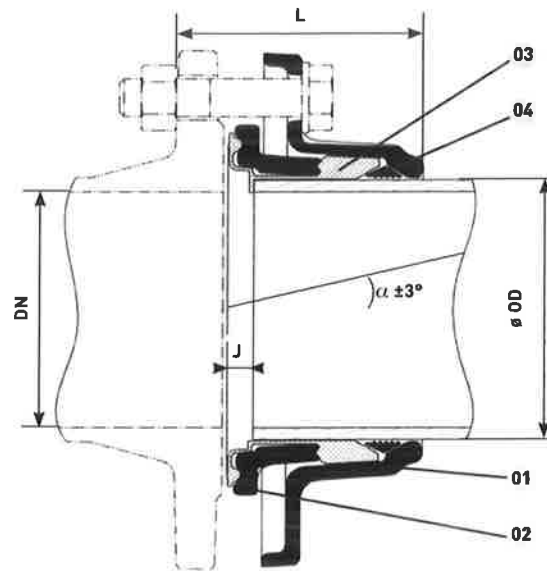
Technical data

- Range:
 - From DN 40 to 200 for U-PVC and PE (PE 80 or PE 100 PN16) pipes.
- PN 16.
- Flanges drilling:
 - ISO PN 10/16
 - Double drilling ISO PN 10 / ISO PN 16 for DN 200.
- Temperatures: from 0° to +30°C.

Applications

- Drinking water networks.
- Fire protection networks.
- Irrigation networks.

For complete restrained networks or vertical assembly, please read the setting instructions.



Item	Designation	Qty	Materials	Standards
01	Flange	1	Ductile iron / EN-GJS 450-10	EN 1563
02	Ring	1	Ductile iron / EN-GJS 450-10	EN 1563
03	Gasket	1	EPDM	EN 681-1
04	Gripping ring	1	AL6061	EN 12167

MAJOR STOP for U-PVC and PE (PE 80 and PE 100 PN 16) - Series C1 35

DN	OD mm	L mm	J mm	Weight kg
40*	40	55	-	1.4
40	50	60	-	1.4
50	63	72	13	1.44
65**	63	72	13	1.60
65**	75	72	13	1.70
80	90	76	13	1.95
100	110	80	15	2.45
125	125	80	15	3.18
125	140	80	15	3.05
150	160	90	17	4.37
200***	200	100	17	7.72
200***	225	105	17	5.88

* Can be fitted to an oval flange.

** Double drilling 60 and 65.

*** Double drilling ISO PN 10 and ISO PN 16.

BAYARD

Tél. + 33 (0)4 37 44 24 24 - www.bayard.fr

BAYARD - Series C1 35 - T16008B-EN

The technical data and performance can be modified without prior notice depending on the technical evolution.