

VÁLVULA BOLA
BALL VALVE
VALVE À BOULE

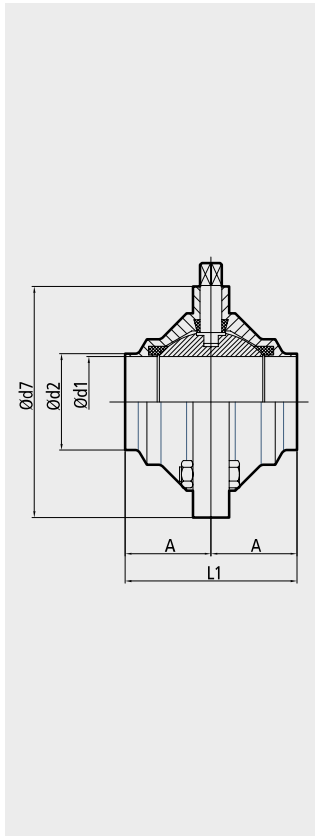
4

DIN 11850 (SERIES 2)

ΜΠΑΛΕΣ ΜΕ ΣΦΑΙΡΑ ΥΓΙΕΙΝΟΥ ΤΥΠΟΥ

SOLDAR
WELD ENDS
À SOUDER

Conexiones según DIN 11850 (Series 2)
Connections according to DIN 11850 (Series 2)
Connexions selon DIN 11850 (Série 2)



DN	Ød1	Ød2	Ød7	A	L1	kg
25	26	29	94	36	72	1,2
40	38	41	114	42	84	2
50	50	53	131	49	98	3,1
65	66	70	158	60	120	5
80	81	85	181	70	140	8,5
100	100	104	209	82	164	13

DN	EPDM - AISI 304L	VMQ - AISI 304L	FPM - AISI 304L	NBR - AISI 304L
25	V6400-000452025	-	-	-
40	V6400-000452040	-	-	V6400-000440040
50	V6400-000452050	V6400-000460050	-	V6400-000440050
65	V6400-000452065	V6400-000460065	-	-
80	V6400-000452080	-	-	V6400-000440080
100	V6400-000452100	-	-	V6400-000440100

DN	EPDM - AISI 316L	VMQ - AISI 316L	FPM - AISI 316L	NBR - AISI 316L
25	V6400-000650025	V6400-000660025	V6400-000680025	-
40	V6400-000650040	V6400-000660040	V6400-000680040	V6400-000640040
50	V6400-000650050	V6400-000660050	V6400-000680050	V6400-000640050
65	V6400-000650065	V6400-000660065	V6400-000680065	V6400-000640065
80	V6400-000650080	V6400-000660080	V6400-000678080	V6400-000640080
100	V6400-000650100	V6400-000660100	-	V6400-000640100



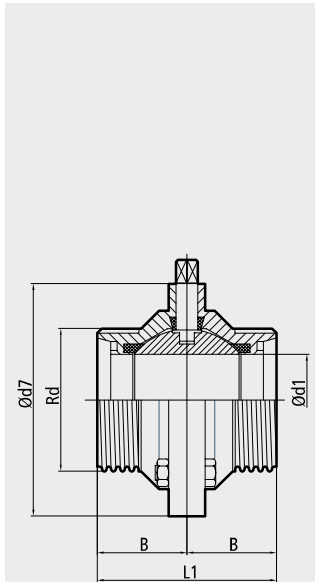
VÁLVULA BOLA
BALL VALVE
VALVE À BOULE

6

DIN 11850 (SERIES 2)

MACHO/MACHO
MALE/ MALE
MÂLE/ MÂLE

Conexiones según DIN 11851
Connections according to DIN 11851
Connexions selon DIN 11851



70.14048.32.041

DN	$\varnothing d1$	Rd	$\varnothing d7$	B	L1	kg
25	26	Rd52x1/6"	94	36	72	1,4
40	38	Rd65x1/6"	114	42	84	2,3
50	50	Rd78x1/6"	131	49	98	3,3
65	66	Rd95x1/6"	158	60	120	5,6
80	81	Rd110x1/4"	181	70	140	8,7
100	100	Rd130x1/4"	209	82	164	13,5

DN	EPDM - AISI 304L	VMQ - AISI 304L	FPM - AISI 304L	NBR - AISI 304L
25	V6400-110452025	-	-	-
40	V6400-110452040	-	-	-
50	V6400-110452050	V6400-110460050	-	V6400-110440050
65	V6400-110452065	-	-	V6400-110440065
80	V6400-110452080	-	V6400-110480080	V6400-110440080
100	V6400-110452100	-	-	-

DN	EPDM - AISI 316L	VMQ - AISI 316L	FPM - AISI 316L	NBR - AISI 316L
25	V6400-110650025	V6400-110660025	V6400-110680025	V6400-110642025
40	V6400-110650040	V6400-110660040	V6400-110680040	V6400-110640040
50	V6400-110650050	V6400-110660050	V6400-110680050	V6400-110642050
65	V6400-110650065	V6400-110660065	V6400-110678065	V6400-110640065
80	V6400-110650080	V6400-110660080	V6400-110680080	V6400-110640080
100	V6400-110650100	V6400-110660100	-	V6400-110642100



VÁLVULA BOLA
BALL VALVE
VALVE À BOULE



ASME OD

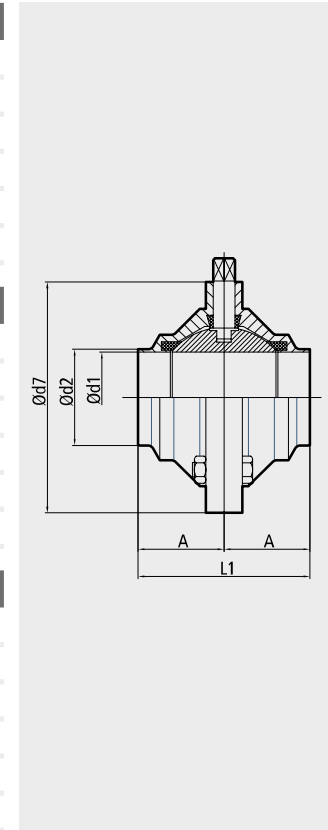
9

SOLDAR
WELD ENDS
À SOUDER

DN	Ød1	Ød2	Ød7	A	L1	kg
1"	22,1	25,7	94	36	72	1,2
1 1/2"	34,8	38,1	114	42	84	2
2"	47,5	50,8	131	49	98	3
2 1/2"	60,2	63,5	158	60	120	5
3"	72,9	76,2	181	70	140	8,4
4"	97,4	101,6	209	82	164	13

DN	EPDM - AISI 304L	VMQ - AISI 304L	FPM - AISI 304L	NBR - AISI 304L
1"	V6401-000452025	-	-	-
1 1/2"	V6401-000452040	-	-	-
2"	V6401-000452050	V6401-000460050	-	V6401-000440050
2 1/2"	V6401-000452063	V6401-000460063	-	-
3"	V6401-000452076	V6401-000460076	-	V6401-000440076
4"	V6401-000452100	-	-	-

DN	EPDM - AISI 316L	VMQ - AISI 316L	FPM - AISI 316L	NBR - AISI 316L
1"	V6401-000650025	V6401-000660025	V6401-000680025	-
1 1/2"	V6401-000650040	V6401-000660040	V6401-000680040	-
2"	V6401-000650050	V6401-000660050	V6401-000678050	-
2 1/2"	V6401-000650063	V6401-000660063	V6401-000680063	-
3"	V6401-000650076	V6401-000660076	V6401-000680076	-
4"	V6401-000650100	V6401-000660100	-	-



70_14048_32_039



CHRYSSAFIDIS