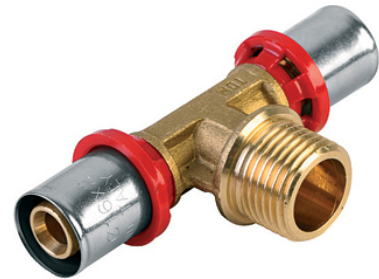
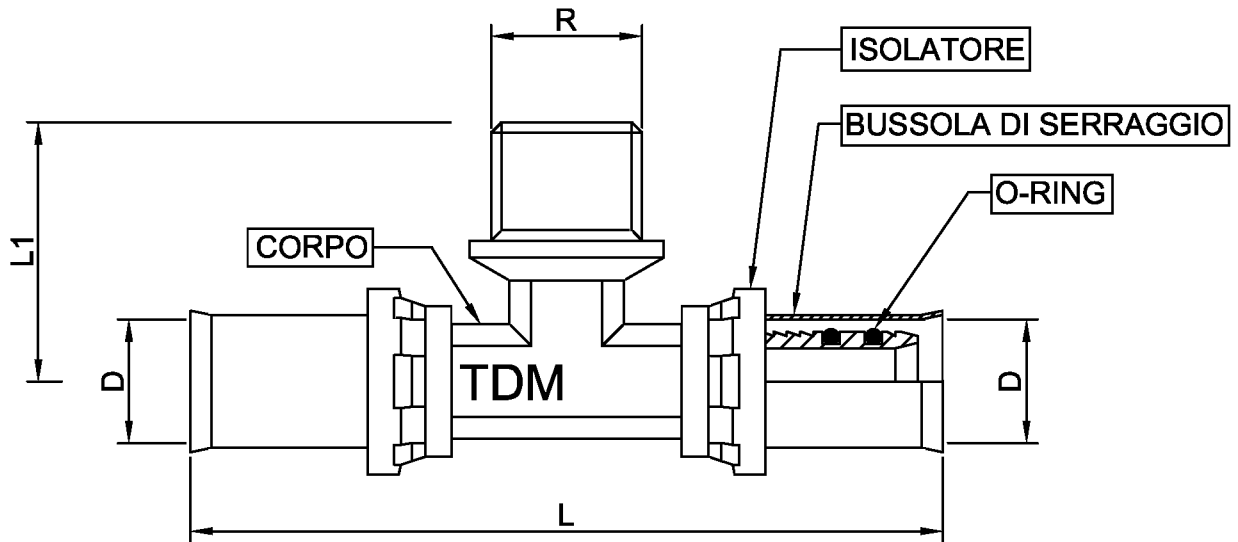



ΠΡΕΣΑΡΙΣΤΑ ΕΞΑΡΤΗΜΑΤΑ ΠΟΛΥΣΤΡΩΜΑΤΙΚΩΝ ΣΩΛΗΝΩΝ  
ΤΑΥ ΑΡΣΕΝΙΚΑ



TDM Code	Size	R	D	L	L1
1660 1216	1/2xØ16	1/2	Ø16 (2.0)	91	31
1660 1218	1/2xØ18	1/2	Ø18 (2.0)	90	32
1660 1220	1/2xØ20	1/2	Ø20 (2.0)	90	32
1660 3420	3/4xØ20	3/4	Ø20 (2.0)	96	34.5
1660 3426	3/4xØ26	3/4	Ø26 (3.0)	102	36.5
1660 0126	1"xØ26	1"	Ø26 (3.0)	108	42
1660 0132	1"xØ32	1"	Ø32 (3.0)	110	42

CORPO	CW 617N EN12165
BUSSOLA DI SERRAGGIO	AISI 304 EN 10088-2
O-RING	EPDM PEROX
ISOLATORE	NAYLON.6 (Red)
PRESSIONE MAX BAR	10
TEMPERATURA min-Max	-20°C / +120°C

CONFORME ALLE NORMATIVE
1) DM 174 del 6 Aprile 2004
2) UNI EN 1254-3
3) UNI EN ISO 9001-2008
4) UNI EN 10954-2
5) UNI EN 10226-1 (ISO 7/1)

Date	29/02/2012	Article.	1660	Designer.	Delaini P.	
Revision n°0				Toll. Gen. Js14		
Description	Raccordo a tee maschio - Tee male					
TDM Brass srl Via Artigiani,9 25030 Maclodio (Bs) -ITALY Tel. +39 030 9972217 www.tdmbrass.it e-mail:info@tdmbrass.it						