



Swing Check Valves

2030

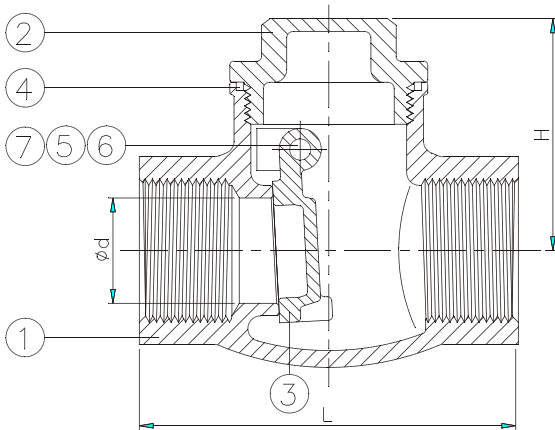
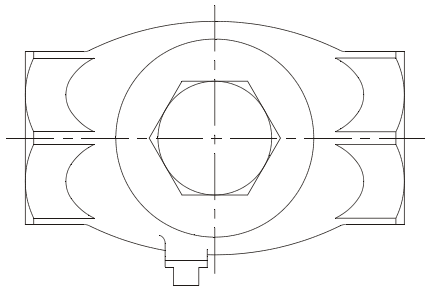
200 W.O.G. SCREWED END



FEATURES

- The thread ends conform to ASME B1.20.1(NPT)
DIN 2999 & BS 21
ISO 228/1 & ISO 7/1
- Investment casting
- 200 W.O.G.
- Max working temperature 445° F
- Socket weld end (option)
- Y pattern (option)

Applicable Standard	
Test and Inspection	API 598



ITEM	PARTS	MATERIAL
1	BODY	ASTM A351-CF8M
2	CAP	
3	DISC	1.4408
4	GASKET	PTFE
5	PLUG SEAL	
6	PLUG	AISI 316
7	PIN	

DN	d	L	H	Weight KG
15	15	66	46	0.3
20	20	81	54	0.5
25	25	91	60	0.8
32	32	106.5	72	1.2
40	40	121	75	1.5
50	50	142	82	2.5
65	65	159	90	3.8
80	80	190	104	5.9

unit:mm

NPS	d	L	H	Weight LB
1/2"	0.59	2.60	1.81	0.7
3/4"	0.79	3.19	2.13	1.1
1"	0.98	3.58	2.36	1.7
1-1/4"	1.26	4.19	2.83	2.5
1-1/2"	1.57	4.76	2.95	3.4
2"	1.97	5.59	3.23	5.6
2-1/2"	2.56	6.26	3.54	8.4
3"	3.15	7.48	4.09	13.0

unit:in

