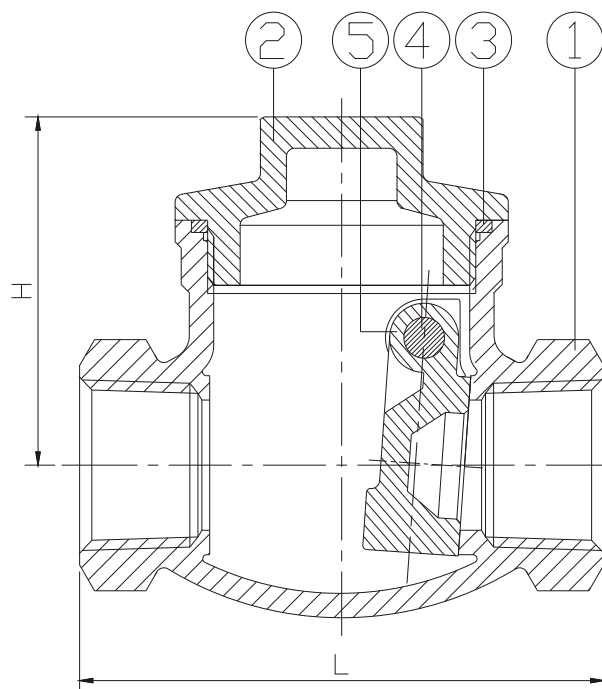


ΚΛΑΠΕ ΑΝΟΞΕΙΔΩΤΑ ΒΙΔΩΤΑ



DN	8	10	15	20	25	32	40	50	65	80
L	65	65	65	80	80	105	120	139	181	200
H	61.8	61.8	61.8	71.1	84	95	109	120	98.8	104
A	46.5	46.5	46.5	56	64	64	74.5	84.4	111.2	152
Weight (kg)	0.363	0.363	0.363	0.426	0.655	0.927	1.49	2.15	5.27	7.7

unit:mm

NPS	1/4"	3/8"	1/2"	3/4"	1"	1-1/4"	1-1/2"	2"	2-1/2"	3"
L	2.56	2.56	2.56	3.15	3.15	4.13	4.72	5.47	7.13	7.87
H	2.43	2.43	2.43	2.8	3.31	3.74	4.29	4.72	3.89	4.09
A	1.83	1.83	1.83	2.2	2.52	2.52	2.93	3.32	4.38	5.98
Weight (lb)	0.8	0.8	0.8	0.94	1.44	2.04	3.28	4.74	11.62	16.98

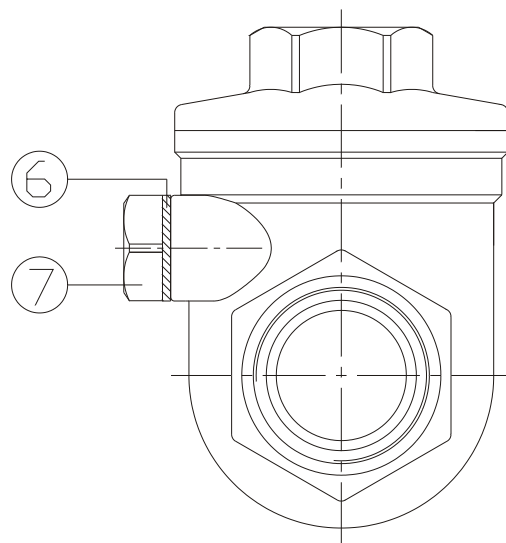
unit:in



CHRYSSAFIDIS

FEATURES

- PIPE THREAD IN ACCORDANCE :
NPT, BSPT, DIN259, DIN2999,
ISO228 CLASS A
- CLASS 200 W.O.G.
- INVESTMENT CASTING BODY
- SWING TYPE DISC
- INTEGRAL SEAT
- MATERIAL: SS316 / ASTM A351
Gr-CF8M / DIN1.4408



ITEM	PARTS	MATERIAL
1	BODY	ASTM A351-CF8M
2	CAP	
3	GASKET	PTFE
4	PLUG	SUS 316
5	DISC	ASTM A351-CF8M
6	GASKET	PTFE
7	BOLT	SUS 304

CHECK BY

DRAWING BY

DATE

SPECIFICATION

Screwed End Swing Check Valve Class 200

Julia

Aug.11.2005

MATERIAL

ASTM A351-CF8M

PROCESS/Nr.

UNIT / SCALE

mm



Revise

Description

Date

Approve

DRAWING NO.

2030000SL -05