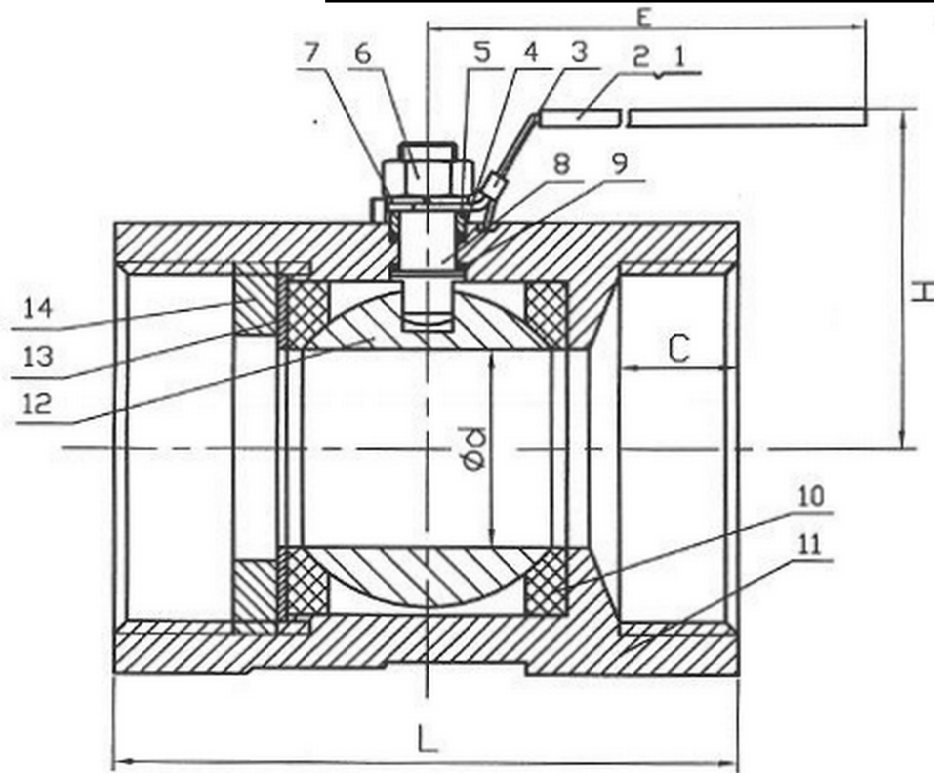


1/4~2" Q11F-1000R

ΣΦΑΙΡΙΚΟΙ ΚΡΟΥΝΟΙ 1-TEM
ΑΝΟΞΕΙΔΩΤΟΙ ΒΙΔΩΤΟΙ
ΜΕΙΩΜΕΝΗΣ ΔΙΑΤΟΜΗΣ

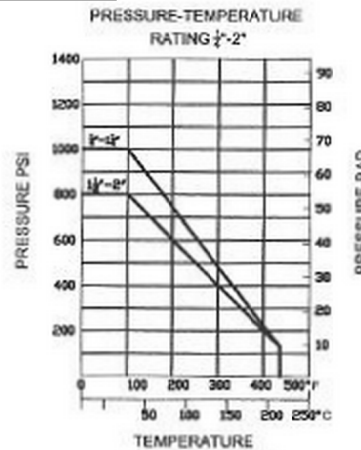
6301xxB/1 1/1



2"	32	100	140	72	25	1.170
1 1/2"	24	83	140	65	22	0.410
1 1/4"	20	78	124	54	21	0.336
1"	16	72	124	50	20	0.208
3/4"	13	59	95	40	18	0.119
1/2"	10	56	95	40	18	0.085
3/8"	7	45	78	30	13	0.050
1/4"	6	40	72	30	11	0.035
SIZE	d	L	E	H	C	Kg/per

CHRYSSAFIDIS S.A./ ATHENS: 3 AGRINIOU STR, TAVROS - (+30) 210 4836315-20 / THESSALONIKI:
DA12A STR, OT32, BIPE SINDOU - (+30) 2310 754681-4 / www.chryssafidis.com / sales@chryssafidis.gr

No.	Parts name	Material	No.	Parts name	Material
1	HANDLE SLEEVE	PLASTIC	8	STEM	SS316
2	HANDLE	SS304	9	STEM GASKET	PTFE
3	HANDLE LOCKING	SS304	10	SEAT	PTFE
4	PACKING	PTFE	11	BODY	CF8M
5	PACKING GLAND	SS304	12	BALL	SS316
6	STEM NUT	SS304	13	WASHER	SS316
7	STEM WASHER	SS304	14	GLAND	SS316



TECHNICAL SPECIFICATION

- Basic design and manufacture according to ANSI B16.34;
- Adjustable packing gland, Bottom-loaded blow-out proof stem;
- NPT Threaded ends complied with ANSI B 1.20.1;
- Rc, Rp&G Threaded ends complied with BS 21/2779, DIN 259/2999, ISO 228 are upon request;
- Inspection and tested according to API598.

				1/4~2" Q11F-1000R IPC THREADED BALL VALVE ASSEMBLY DIAGRAM			EVERBEST		
No. 1				IPC THREADED BALL VALVE			1/4~2" Q11F-1000R		
设计	校核	审核	工艺	图样标记	数量	重量	比例		
更改文件号				共 页		第 页			

图(通)用件登记
描 图
描 枝
图底图总号
底图总号
签 字
日 期