

Stopcock for pressure measuring instruments Model 910.10, brass, steel or stainless steel

WIKA data sheet AC 09.01

Applications

- Shut-off device for pressure measuring instruments, for measurement of liquids, gases and vapours

Special features

- Version per DIN 16261, DIN 16262 and DIN 16263
- Nominal pressures to 25 bar
- Operating temperature up to 50 °C



Stopcock
Female / male G 1/2 / G 1/2 B, DIN 16261, PN 25



Description

Stopcocks provide the opportunity to either vent the connected pressure gauge according to the position of the handle (venting position), i.e. put it into a pressure-free state, or to vent the pressure measuring instrument under pressure (operating position) or to let the pressure medium escape (blow position). For pressures higher than those listed in the inside table, shut-off valves must be used.

Test connection version

Stopcocks with test connection are intended for the simultaneous connection of operating pressure measuring instruments and test connection pressure gauges to the pressure pipeline. With this version, the third route, which leads to the outside at the standard version, is used as connection for a test connection pressure gauge. A fourth position of the handle enables the simultaneous connection of the operating and the test connection pressure measuring instruments to the pressure pipeline.

Standard version

Cock case and handle

Brass CW614N, bright

Handle installed in the case with silicon free grease

Test connection

Test pivot M20 x 1.5

or test flange Ø 40 x 5 mm resp. 60 x 25 x 10 mm

Options

- Materials: Brass, CW614N, chrome plated
Steel
Stainless steel 1.4571
- with gland packing, without venting bore (only at standard version)
- Special threads

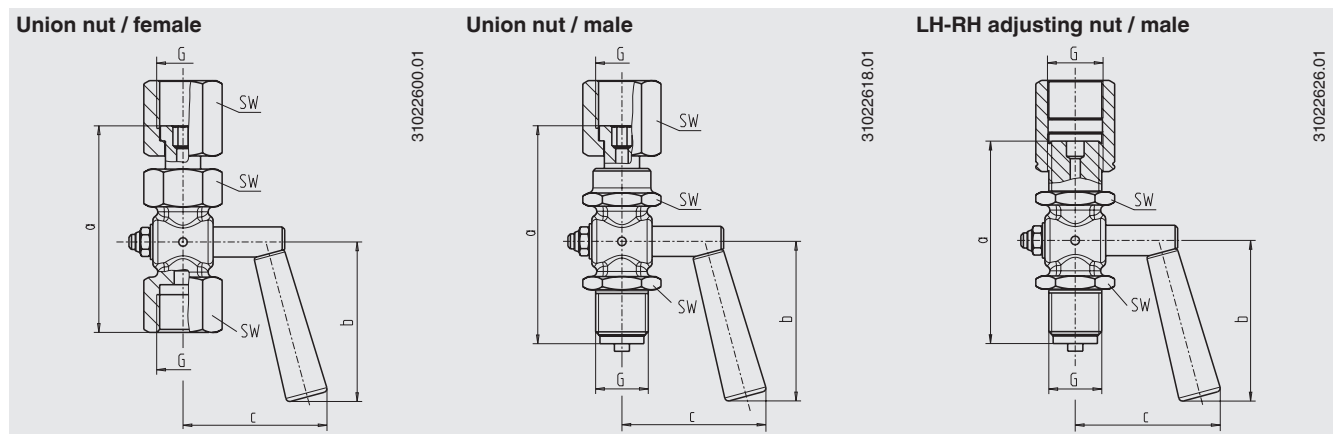
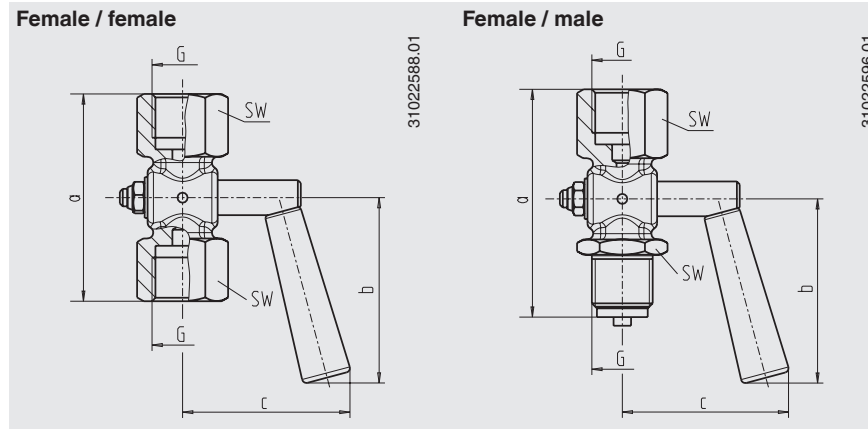
Design	Connection	PN in bar	Material	Order no.
Female / female	G ¼	6	Brass	9090029
	G ⅜	16	Brass	9091807
	G ½	25	Brass	9090045
With test flange Ø 40 x 5	G ½	25	Brass	9091777
With test flange 60 x 25 x 10	G ½	25	Brass	9090053
With gland packing ¹⁾	G ½	25	Brass	9090061
Female / male	G ¼	6	Brass	9090070
	G ⅜	16	Brass	9091815
	G ½	25	Brass	9090096
With test flange Ø 40 x 5	G ½	25	Brass	9091785
With test flange 60 x 25 x 10	G ½	25	Brass	9090100
With gland packing ¹⁾	G ½	25	Brass	9090118
Union nut / female	G ½	25	Brass	9090126
With test flange 60 x 25 x 10	G ½	25	Brass	9090134
Union nut / male	G ½	25	Brass	9090142
With test flange 60 x 25 x 10	G ½	25	Brass	9090150
LH-RH adjusting nut / male	G ¼	6	Brass	9095080
	G ½	25	1.4571	9090959
	G ½	25	Brass	2087174
With test connection M20 x 1.5	G ½	16	Brass	9091130
With test connection M20 x 1.5	G ½	16	1.4571	9091149

1) Medium temperature max +80 °C without venting bore



Dimensions in mm

Standard version



Design	Entry per EN 837-1	Dimensions in mm			SW	Weight in kg
		a ± 3	b ± 3	c ± 3		
Female / female	G ¼	48	29	30	17	0.06
Female / male	G ¼	51	29	30	17	0.06
Female / female	G ½	71	64	57	27	0.25
Female / male	G ½	78.5	64	57	27	0.28
Union nut / female	G ½	82	64	57	27	0.32
Union nut / male	G ½	87	63.5	57	27	0.33
LH-RH adjusting nut / male	G ½	87	63.5	57	27	0.40
Female / female	G ¾	62	64	43	22	0.14
Female / male	G ¾	60	64	43	22	0.12
LH-RH adjusting nut / male	G ¼	55	29	30	17	0.07

Ordering information

To order, the 7-digit order number is sufficient. Other options require additional specification.

© 2003 WIKA Alexander Wiegand SE & Co. KG, all rights reserved
The specifications given in this document represent the state of engineering at the time of publishing.
We reserve the right to make modifications to the specifications and materials.

WIKA data sheet AC 09.01 · 12/2011

Page 3 of 3



WIKAL
WIKAL Alexander Wiegand SE & Co. KG
Alexander-Wiegand-Straße 30
63911 Klingenberg/Germany
Tel. (+49) 9372/132-0
Fax (+49) 9372/132-406
E-mail info@wika.de
www.wika.de