

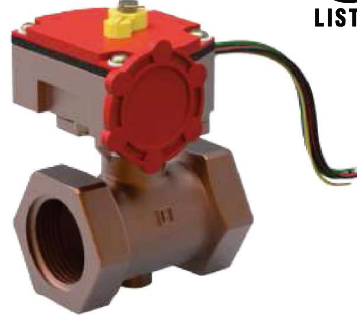
FIREFLY BRONZE BUTTERFLY VALVE THREADED ENDS

300PSI

Fig No.: BBT-300

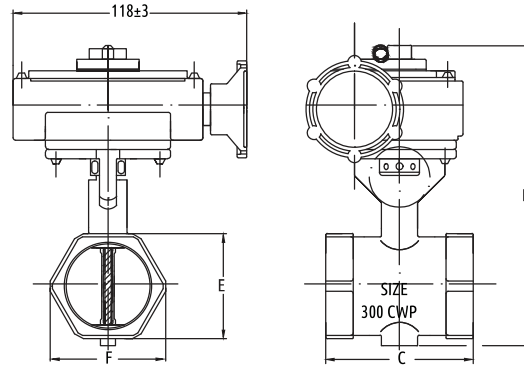
FEATURES & SPECIFICATIONS

- Factory installed UL listed double tamper switches
- Valve approved for indoor and outdoor use
- Threaded : NPT or BSPT
- Working pressure : 300psi
Max. Test Pressure : 600psi
- Max. working temperature : 250°F (120°C)



MATERIALS LIST

Name	Material
Body	Bronze C836000
Disc	Stainless Steel AISI304
Handwheel	WCB
Seat	Viton
Indicator	Powder Metal
Housing	Forged Brass



DIMENSIONS (mm)

Size	1"/25	1.25"/32	1.5"/40	2"/50	2.5"/65
B	129	137.9	145.9	159.8	175.5
C	54	66.7	73	82.6	114
E	39.7	49.2	55.6	70	86.5
F	44.5	55	60.3	79	96

NET WEIGHT (kg) & CRATE QTY (pcs)

Size	1"/25	1.25"/32	1.5"/40	2"/50	2.5"/65
N.W.	1.55	1.71	1.83	2.35	3.38
Crate Qty	6	6	6	6	6