

ΡΥΘΜΙΣΤΕΣ ΠΙΕΣΗΣ ΑΕΡΟΣ ΜΕ ΦΙΛΤΡΟ

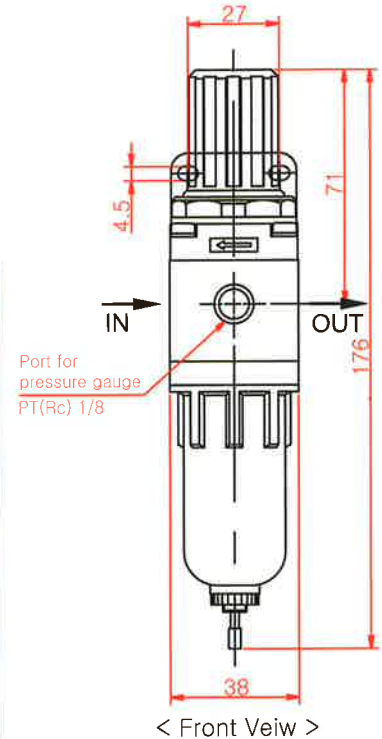
445981A 1/1

Compact air filter regulator with poly-carbonated body and optional auto-drain function

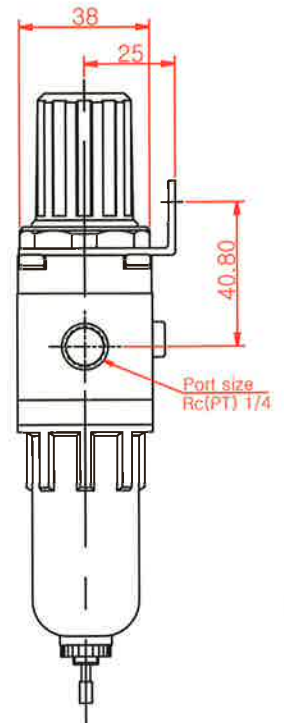


Specifications

Model	FR15
Port Size	PT(Rc) 1/4 or NPT 1/4
Fluid	Air
Max. Supply Pressure	15 bar (225 psi)
Max. Operating Pressure	9 bar (130 psi)
Regulating Pressure	0.5 ~ 8.5 bar (7 ~ 123 psi)
Operating Temperature	+5 ~ +60°C (41 ~ 140°F)
Supply Air	Filtered compressed, dry, non-oiled air and no freezing
Gauge Port Size	PT(Rc) 1/8
Filtration	10 microns
Housing Material	Poly-carbonate
Pressure Gauge Material	Stainless steel
Weight	0.4 Kg (with pressure gauge)



< Front View >



< Side View >

How to Order

FR15

Port Size

Pressure Gauge

Drain Type

Bowl Material

Description	Code
Port Size :	P : PT(Rc) 1/4 N : NPT 1/4
Pressure Gauge :	N : None 1 : 6bar(90psi) 2 : 10bar(150psi)
Drain Type :	M : Manual(standard) A : Auto-drain
Bowl Material :	N : PC bowl(standard) L : Metal bowl

