



CHRYSSAFIDIS

Model **J2** -10



Doc: J2-10/01

Nov 2009

Feature rich **J+J** plastic multi-voltage actuator .

Introduced in late 2009, the **J2-10** is the first all externally plastic construction electric actuator from **J+J**.

The **J2-10** is quick and easy to install, with ISO:5211 multi-flange mounting and a double square drive, allowing fast mounting to ISO:5211 valves.

There is no need to remove the cover to connect the **J2-10** electrically, saving installation time.

Using the external DIN plugs and external wiring diagrams supplied with the actuator, installations can be pre-wired.

Protection against valve jams is provided by an electronic torque limiter, which auto-relaxes the gearbox when activated, allowing the manual override to be selected to assist in clearing the jam.

The effect of condensation is eliminated by an internal thermostatic anti-condensation heater that does not require a separate independent power supply.

The **J2-10**'s function is power open, power close, stays put on power failure.



The **J2-10** is another smart red box!



Method of operation:

On receipt of a continuous power signal within the voltage range shown above, the motor runs and, via a flat gear system, rotates the output shaft. The motor is stopped by internal cams striking micro switches. On receipt of a reversing continuous signal, the motor turns in the opposite direction reversing the output drive.

Notes:

The power signal needs to remain on at all times to activate the thermostatic anti-condensation heater.

The volt free end of travel confirmation switches must not be used to cut the power.

Quick guide to the **J2**'s standard features :

Multi-voltage with auto-voltage sensing.

J2-H10 110 - 240V AC or DC

J2-L10 24V AC or DC

Electronic over-torque protection against valve jams

Thermostatic anti-condensation heater

Manual override for emergency hand operation

2 Volt free end of travel confirmation switches

IP65 weatherproof anti-corrosive and UV protected Polyamide housing

Local visual position indicator

ISO5211 multi-flange mounting with double square drive

All external electrical connections via supplied DIN plugs

CE marked

ISO 9000 EU manufacturer

Ideal for plastic and small bore low torque metal ball valves !

J2**Model J2 - I0**The all new **J2** - I0

Specifications: **J2** - I0

| | |
|--|--|
| Voltage range - automatically sensed by actuator | J2 -HI0 110-240V AC (Iph) or DC |
| | J2 -LI0 24V AC (Iph) or DC |
| Operating time (0-90° no load) J2 -HI0 & J2 -LI0 | 17 seconds |
| Maximum break torque | 12 Nm 106 in.lbs |
| Maximum operating torque (run/ reseal) | 10 Nm 88 in.lbs |
| Duty rating | 75% |
| IP Rating (IEC 60529) | IP65 |
| Working angle Standard (on request) | 90° (180° or 270° options) |
| Mounting ISO:5211 x DIN 3337 | F03 & F05 x I4 |
| Motor switches | 2 x SPDT micro switches |
| End of travel confirmation (volt free) | 2 x SPDT micro switches |
| Heater | 4 W |
| Ambient temperature range | -20° to +70°C / -4 to +158°F |
| Electrical connecting plugs | DIN 43650/ ISO4400 & C192 |
| Consumption: | |
| 110/ 220V AC/Iph or DC | Max 0.27 A |
| 24V AC (Iph) or DC | Max 0.39 A |
| Weight | 0.9 kg |

Materials of construction:

| | |
|--------------------|--------------------------|
| Housing | Anti-corrosive Polyamide |
| Fasteners | Stainless steel |
| Gears | Polyamide |
| Shaft (Internal) | Stainless steel |
| Output drive | Polyamide |
| Position indicator | Glass filled Polyamide |



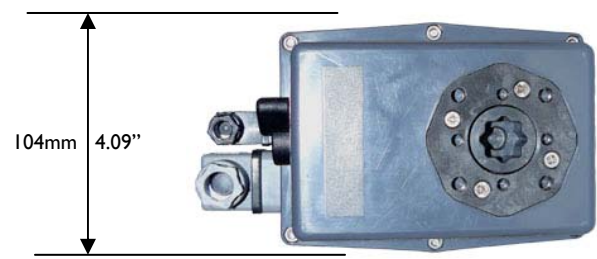
Subject to alteration without notice. Uncontrolled copy, not subject to automatic updates

Model **J2** - 10

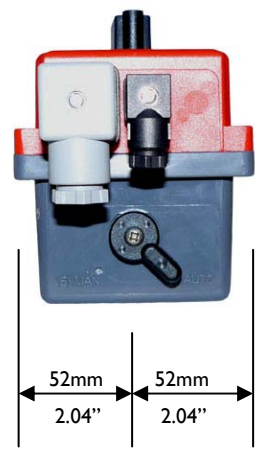
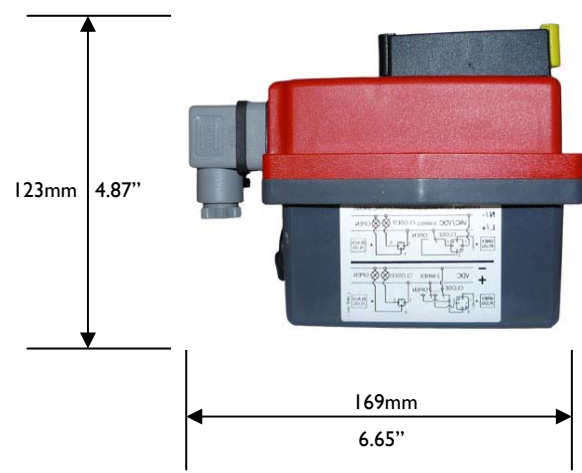
J2



Dimensions: **J2** - 10



| | | |
|-----------------------|--------------------------|------|
| Mounting ISO: 5211 | F03 | F05 |
| | 36mm | 50mm |
| Drive | 14mm (9 or 11 option) | |



Wiring: **J2** - 10

