

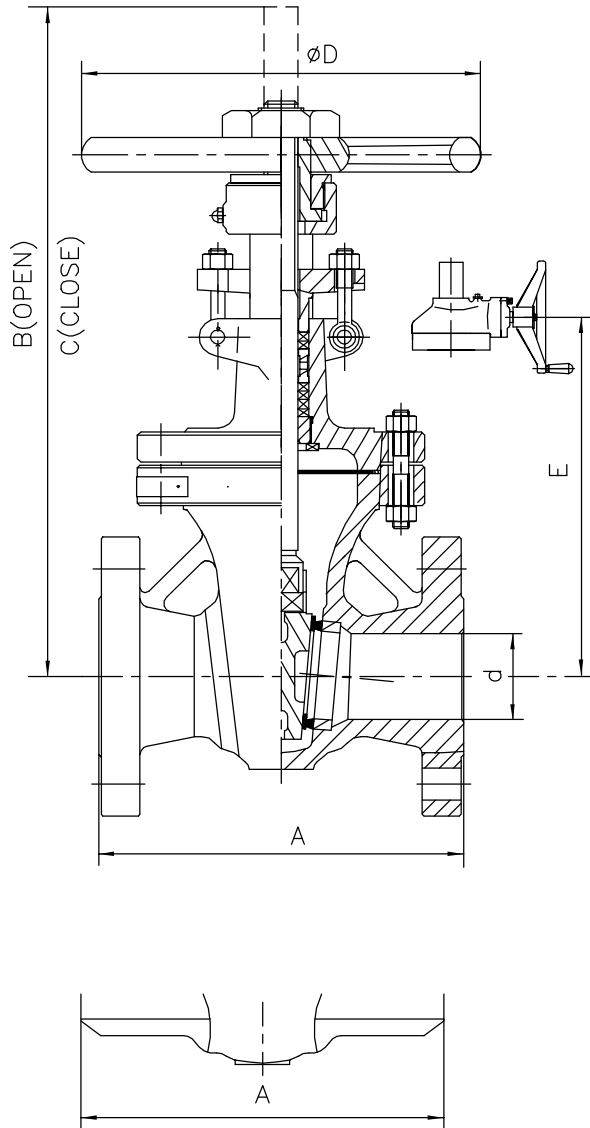


BOLTED BONNET VALVES



GATE VALVES—Class 300#

Size range: 2" to 54"



STANDARDS:

Design	ANSI B16.34&API 600
Test	API 598
Face to Face Dimensions	ANSI B16.10
End Flange Dimensions	ANSI B16.5(2" ~ 24")
	ANSI B16.47(30" ~ 42")
Butt-Weld Ends	ANSI B16.25

Class 300# Fig NO. 43(RF/RTJ)
43 1/2 (BW)

DIMENSIONS AND WEIGHTS

Size inch	d	A RF & BW	B (OPEN)	C (CLOSE)	D	E	Weight(kg) RF & BW	
2"	51	216	406	343	216		30	26
3"	76	283	495	411	228		55	47
4"	102	305	600	485	254		83	68
6"	152	403	831	660	380		137	118
8"	203	419	1035	815	460		240	195
10"	254	457	1285	1011	510		333	271
12"	305	502	1460	1135	560	1222	536	432
14"	337	762	1646	1285	610	1372	699	595
16"	387	838	1860	1448	700	1548	1010	848
18"	432	914	2043	1575	700	1675	1205	1025
20"	483	991	2298	1778	800	1878	1720	1460
24"	584	1143	2752	2134	1100	2277	2506	2390
30"	737	1397	3650	2870	1600	3013	4115	3900
36"	890	1727	4150	3226	1600	3419	6849	6530
42"	1016	1930	4508	3445	1600	3638	7925	7700

Other Sizes and materials: On request

RF: Flanged BW: Butt Weld

Sizes 12" and larger the use of gear actuator is recommended.

AVAILABLE OPTIONS:

STRUCTURE	End Connection: Flange Raised Face, Butt Weld, RTJ...
	Seat Rings: Threaded (Renewable), Welded
	Operation: Handwheel, Gear, Electric, Pneumatic, Hydraulic...
* MATERIALS	Body: WCB, WC1, WC6, WC9, LCB, LCC, LC3, C5, C12, CF8, CF8M, CF3, CF3M, CF8C...
	Trims: 13%Cr, 304, 304L, 316, 316L, 321, 347, F-51, Monel...
ACCESSORIES	Limited switch, Sealing water connection, Bypass, Drain, Equalizing pipes and Etc.

*Please refer to page of "Build Material"