



# PPR

# Pneumatic-Pneumatic Positioner

CHRYSsafidis

ΠΝΕΥΜΑΤΙΚΟΙ ΡΥΘΜΙΣΤΕΣ ΘΕΣΗΣ ΠΕΡΙΣΤΡΟΦΙΚΟΙ

347103A 1/2

## How to Order

### PPR

Feedback Lever

Pressure Gauge

Pilot Valve Orifice

Position Feedback

Connection Threads

Dome Indicator

Operating Temperature

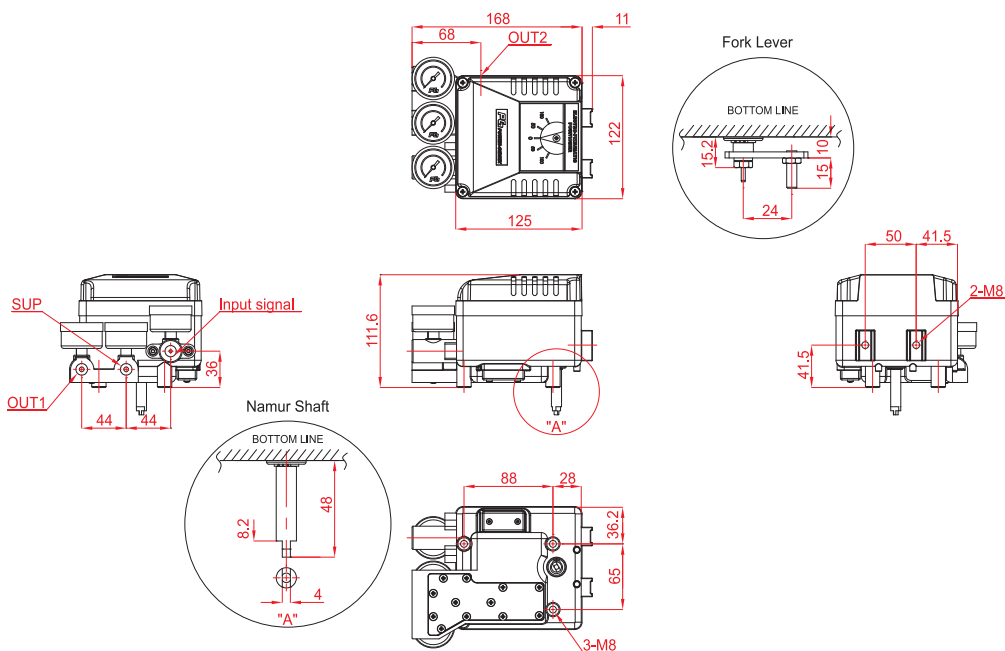
Mounting Bracket

Description	Code
<b>Feedback Shaft :</b>	N : NAMUR shaft (direct mounting) A : Fork lever M6 x 40L B : Fork lever other size on request
<b>Pressure Gauge :</b>	1 : 6 bar (90psi) 2 : 10 bar (150psi)
<b>Pilot Valve Orifice :</b>	S : Standard (Actuator volume over 180cm <sup>3</sup> ) M : Small orifice (∅ 1.0 or ∅ 0.7) (Actuator volume 90 ~ 180cm <sup>3</sup> )
<b>Position Feedback :</b>	N : None (standard) O : Position transmitter (4 ~ 20mA output signal) L : 2 x SPDT limit switch P : 2 x proximity sensor P&F NJ2-V3-N M : O + L Q : O + P

Description	Code
<b>Connection Threads :</b> (pneumatic)	3 : PT(Rc) 1/4 4 : NPT 1/4
<b>Dome Indicaotr :</b>	N : Flat indicator (standard) D : Dome indicator
<b>Operating Temperature :</b>	T : 70°C (standard) H : 120°C (without position feedback option) 85°C (with position feedback option) L : -40°C (without position feedback option)
<b>Mounting Bracket</b> <b>- NAMUR Shaft Type :</b>	N : None R : Multi-size NAMUR bracket for DIN VDI/VE 3845 (130 x 30 x 50 bracket on request)
<b>- Fork Lever Type</b>	F : DHCT bracket 80x30 for fork lever type E : Multi-size NAMUR bracket for Fork lever type (130 x 30 x 50 bracket on request)

## Dimensions

### A. With Flat Indicator



### B. With Dome Indicator

