



## RELIEF VALVE 1/2", 3/4", 1" - Pmax 1 Bar



Code	Description	Dimension	Pmax
<b>RV015-1B</b>	Relief valve	1/2"	1 bar
<b>RV020-1B</b>	Relief valve	3/4"	1 bar
<b>RV025-1B</b>	Relief valve	1"	1 bar
<b>RVD25-1B</b>	Relief valve	DN25	1 bar

## TECHNICAL FEATURES

**Pmax** 1 bar

**Inlet - Outlet Connection** thread 1/2", 3/4", 1" ISO228/1  
DN25 - Sliding Aluminium flange PN10

**Setting range** 20 - 600 mbar - Standar spring supplied 200 - 600 mbar

Screw Plugs 1/8"

**Working Temperature** - 20 °C - + 60°C

**Use** Not aggressive gases of three families - Natural gas - LPG - Town gas - Air

## Materials:

**Complete Body** Die - Cast Aluminium Gd - AlSi12Cu - EN AB 46100

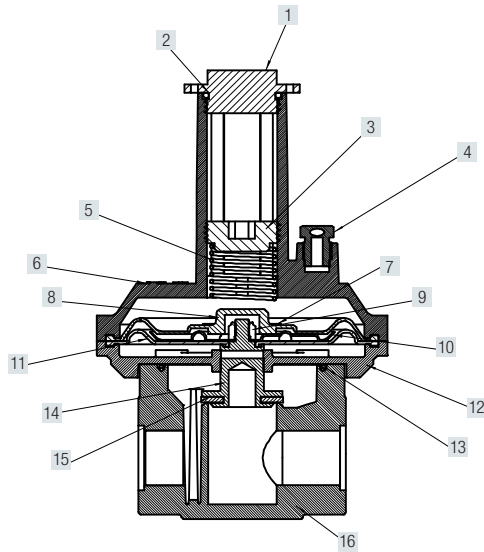
**Diaphragms** NBR 60Sh - DvGW EN 549

**Code:** **Color** **Range mbar**

**SPBK1-1RV** Black 20 - 120 mbar  
**SPG1-1RV** Green 100 - 450 mbar  
**SPBR1-1RV** Brown 200 - 600 mbar

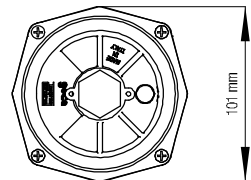
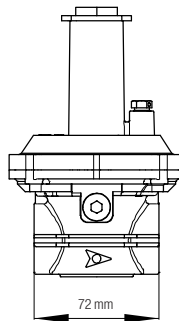
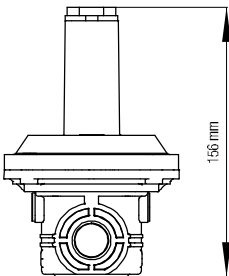


CHRYSSAFIDIS



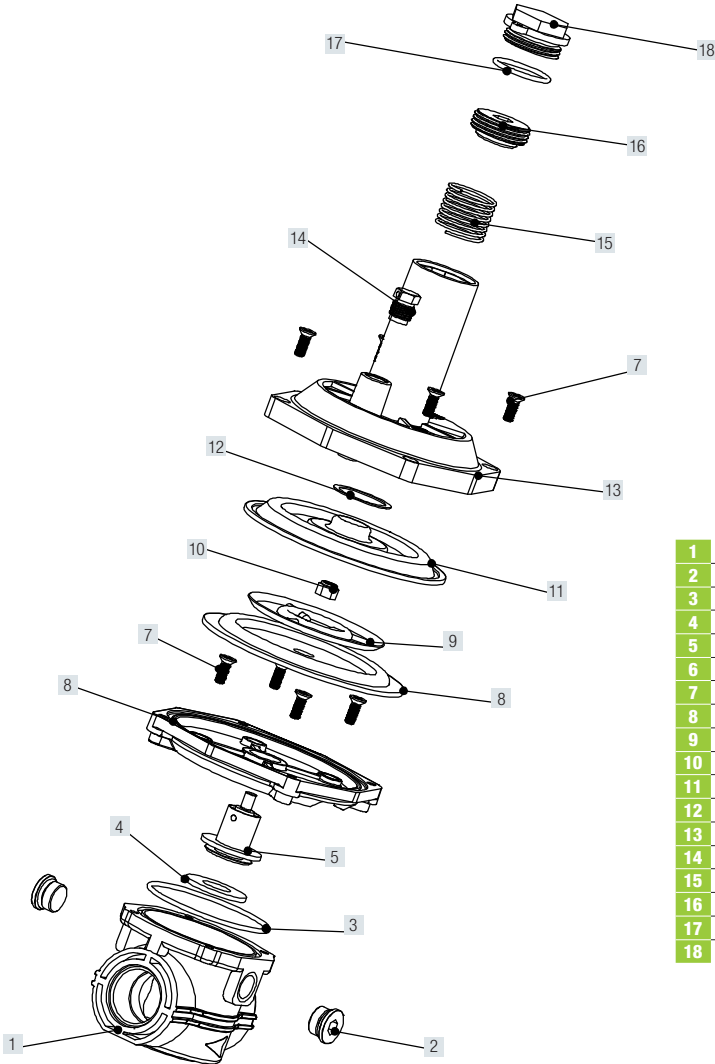
1	Seal cap
2	O ring
3	Spring compressor
4	Washer
5	Spring
6	Screws
7	Vent cap
8	Upper cover

9	Plastic Washer
10	Safety diaphragm
11	Calibrated nozzle
12	Washer
13	Disc
14	Compensation diaphragm
15	Obtuator
16	Upper bush



Dimension	1/2"	3/4"	1"
WEIGHT (kgs)	0,6	0,6	0,6

## ASSEMBLY OVERVIEW



1	Body
2	Screw plugs
3	O ring
4	Gasket
5	Shaft
6	Flange adapter
7	Screw
8	Compensation Diaphragm
9	Disc
10	Nut
11	Safety diaphragm
12	Washer
13	Upper cover
14	Safety vent
15	Spring
16	Spring compressor
17	O ring
18	Seal cap

CHRYSSAFIDIS S.A.

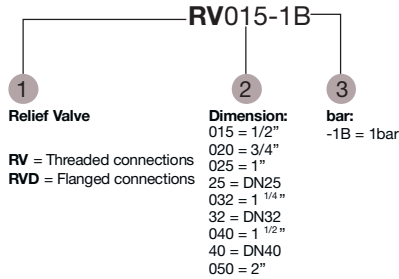
ATHENS: 3 AGRINIOU STR, TAVROS - (+30) 210 4836315-20

THESSALONIKI: DA12A STR, OT32, BIPE SINDOU - (+30) 2310 754681-4

www.chryssafidis.com / sales@chryssafidis.gr



## CODE DESCRIPTION



## PACKING DIMENSION

Code	Packaging Dimension (LxWxH) cm	Weight (Kg)	Packaging
RV015 -1B – RV0201B –RV025-1B	12x12x16	0,7	1 units
RV032-1B – RV040-1B –RV050-1B	23,5x28,5x24	3,8	1 units
RVD32-1B – RVD40-1B – RVD50-1B	27x28x32	6,0	1 units

