

**ΗΜΙΜΟΥΦΕΣ ΣΠΡΙΝΚΛΕΡ**
**Welding Branchlet**
**Description**

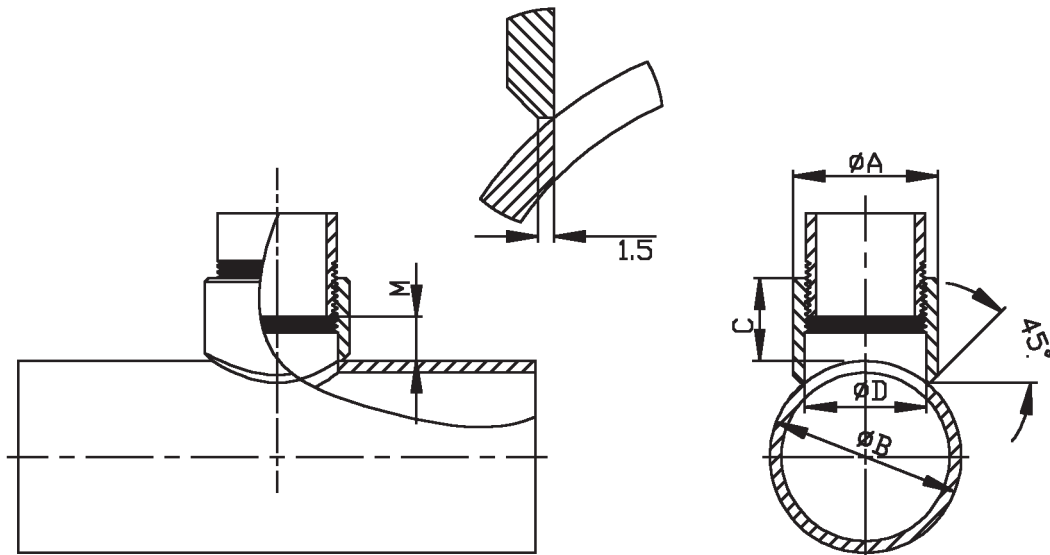
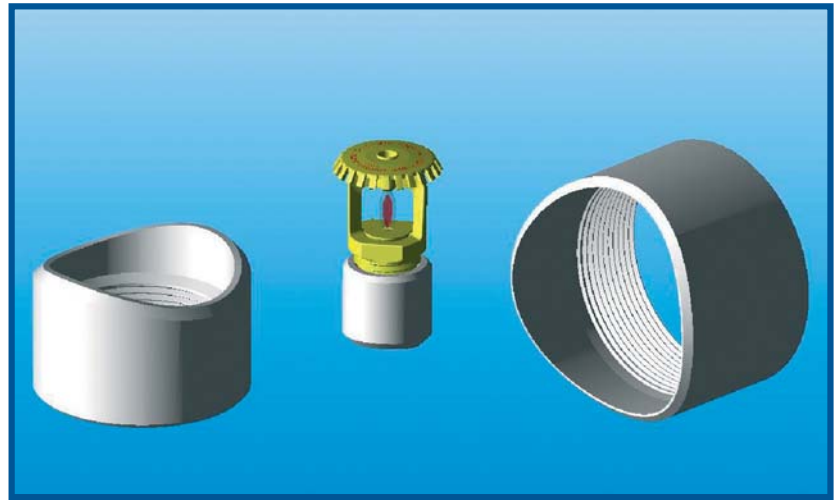
Chamfered profiled welding branchlets. BSP threads are machined to ISO7/1 international standard for pipe threads [i.e. Rp (BSP)]. NPT threads comply with ANSI/ASME B1.20.1

**Pressure Rating**

Max. Working Pressure: 20 Bar  
Max. Test Pressure 34.5 Bar

**Material Specification**

Mild Steel - Equivalent to ASTM A-105


**Dimensions**

Outlet	A (mm)	C (mm)	D (mm)	M (mm)	B - Pipe Run Size (mm)	Unit Weight (Kg)	Box Qty
1/2" NPT	28	25.0	20.4	12.7	25-40 / 50-65 / 80-200	0.07	300
3/4" NPT	34	25.0	25.4	12.7	25-40 / 50-65 / 80-125 / 150-200	0.1	200
1" BSP	40	28.0	32.0	12.7	32-40 / 50-65 / 80 / 100-125 / 150-200	0.11	200
1. 1/4" BSP	49	32.0	40.0	12.7	50-65 / 80 / 100-125 / 150-200	0.17	100
1. 1/2" BSP	56	32.0	47.0	22.2	50-65 / 80 / 100 / 125-150 / 200	0.23	100
2" BSP	68	38.0	59.0	22.2	65 / 80 / 100 / 125 / 150-200	0.35	50
2. 1/2" BSP	81	44.5	73.0	28.6	80 / 100 / 125 / 150 / 200	0.45	30