

## Cim 74AOT

**OBLIQUE STRAINER BRASS CW617N-M ALLOY - PN 20**

ΦΙΛΤΡΑ ΟΡΕΙΧΑΛΚΙΝΑ ΒΙΔΩΤΑ



This article was made in compliance with the quality management requirements of ISO 9001 standard. All articles are tested according to the EN 12266-1 standard.

It can be used for filtration in heating, water, sanitary, pneumatic, oil, gasoline and saturated steam systems, and generally with any non corrosive liquid.

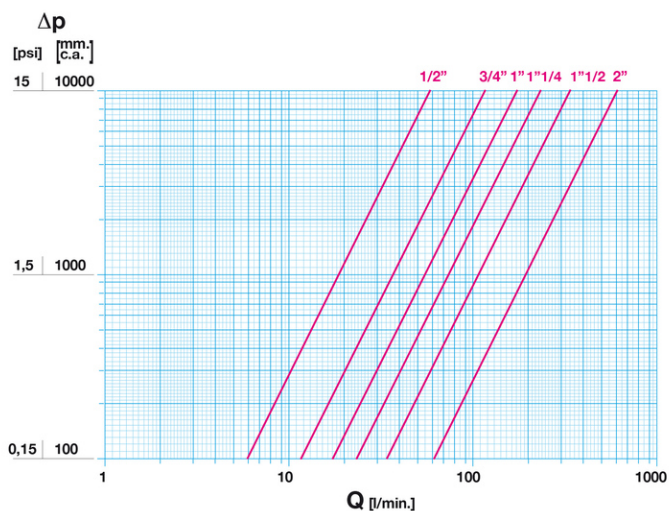
It is guaranteed for 5 years.

It is made of a brass alloy that complies with standard EN 12165-CW617N-DW.

Nominal Pressure: PN 20

Operating temperature: -10 ÷ 180°C

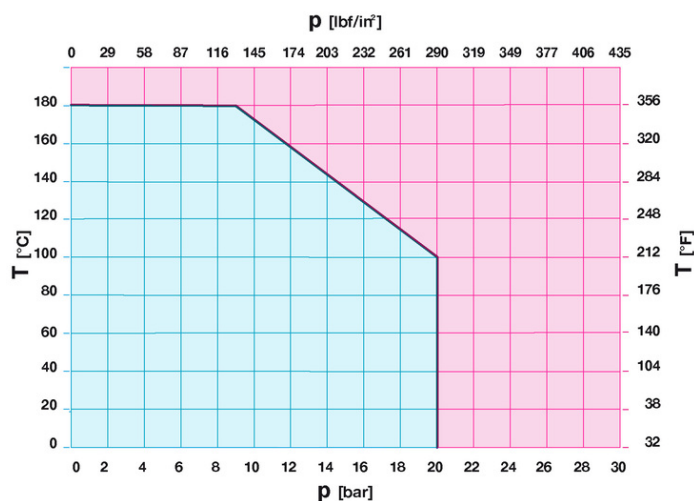
### FLOW AND PRESSURE DROP



Notes:

- 1 l/min = 0,06 m<sup>3</sup>/h
- 1 m<sup>3</sup>/h = 16,67 l/min
- 1 bar = 10.000 mm w.c.
- 1 psi = 690 mm w.c.

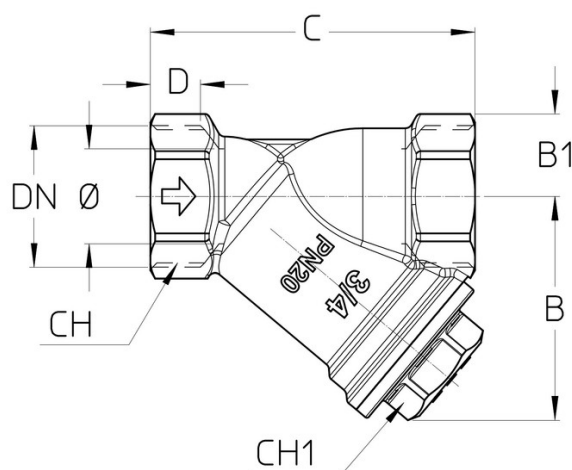
### PRESSURE TEMPERATURE RATINGS



Notes:

- 1 bar = 14,5 psi
- 1 bar = 14,5 lbf/in<sup>2</sup>
- °C = 5/9 x (°F-32)
- °F = 32 + (9/5 x °C)

## TECHNICAL DRAWING



DN	1/2"	3/4"	1"	1"1/4	1"1/2	2"
Φ mm	15	19	24	31	37	50
<b>Grms.</b>	<b>142</b>	<b>225</b>	<b>335</b>	<b>550</b>	<b>690</b>	<b>1270</b>
B	14	17	20	25	28,5	35
B1	40	47,5	58	78	81	96
C	59	68	76	92	100	125
D	12	12,5	13,5	16	16	16
CH	25	31	38	47	54	66
CH1	18	22	29	34	39	55

Thread:  
ISO 228

## TECHNICAL CHARACTERISTICS

KV						
DN	1/2"	3/4"	1"	1"1/4	1"1/2	2"
KV	3,5	7	10,4	14,2	20,4	36,2
NH	52	52	52	52	52	52
DH	0,65	0,65	0,65	0,65	0,65	0,65

KV = Capacity in m<sup>3</sup>/h at pressure drop of 1 bar.

NH = Number of holes per cm<sup>2</sup> of the mesh

DH = Diameter of the mesh holes in mm

## REACH Regulation

According to article 33 of REACH Regulation, we inform you that the components made of bronze and brass alloys that are parts of the articles we supply, contain the lead (as alloy component) in a higher quantity of the limit of 0,1% in weight. Lead has been inserted in the list of SVHC substances nominated for the authorisation process, in the updating published by the European Chemical Agency ECHA on 27th June 2018. Lead has been introduced with the following information:

- Substance: Lead
- CAS: 7439-92-1
- EC: 231-100-4
- List: SVHC
- Data of Inclusion: 27<sup>th</sup> June 2018

Since lead is an element of the alloy, no exposure is expected and consequently, no further information is requested for the safe use of this product.

The list is available at the following link: <https://echa.europa.eu/it/candidate-list-table> and since it is a continuously updated list, we declare the constant monitoring about insertion of new substances and the prompt on time information to our customers in case such substances should be contained in the products we supply.