

## DESCRIZIONE / DESCRIPTION

Valvola radiatore a semplice regolazione.  
Attacco ferro/rame

Radiator valve simple regulation. Threaded  
end/connection copper

Robinet radiateur à simple réglage. Raccord  
à visser/cuivre

Hiezkörperventil mit einfacher Einstellung.  
Anschluss für Eisenrohre/copper

## FOTO / PICTURE

**ΔΙΑΚΟΠΤΕΣ ΚΑΛΟΡΙΦΕΡ ΒΑΡΕΩΣ ΤΥΠΟΥ 1/2"**


278VO



288VO

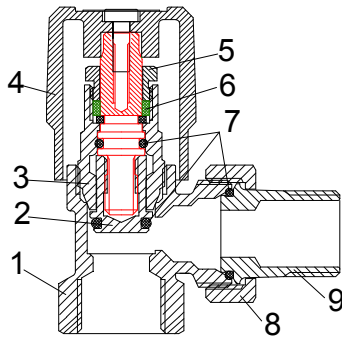


208VO



218VO

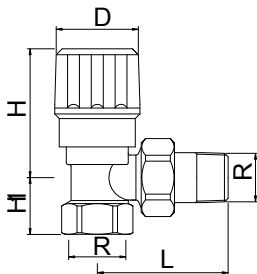
## CARATTERISTICHE DELLA



## VALVE FEATURES

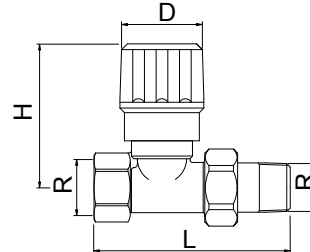
1: corpo - body -	CW617N
2: otturatore-shutter	CW614N
3: vitone - headwork -	CW614N
4: volantino - handwheel -	ABS
5: ghiera premistoppa-packing nut	CW614N
6: premistoppa	PTFE
7: guarnizioni - gaskets -	EPDM
8: calotta - nut -	CW617N
9: bocchettone - tail -	CW617N
10 bar / 110°C	

## DIMENSIONI PRINCIPALI / LEADING DIMENSIONS



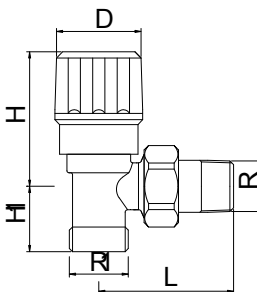
278VO

R"	3/8	1/2
L	52	55
H	55	55
H1	20	24
D	36	36



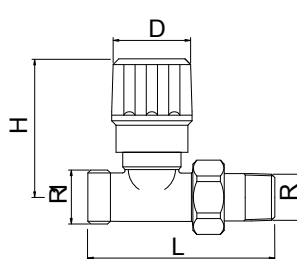
288VO

R"	3/8	1/2
L	76	85
H	63	63
D	36	36



208VO

R"	3/8	1/2
R1	24/19	24/19
L	52	55
H	55	55
H1	26	26
D	36	36



218VO

R"	3/8	1/2
R1	24/19	24/19
L	80	84
H	63	63
D	36	36



# SCHEDA TECNICA TECHNICAL DATA

rev.0 del 07/04/11

CODICE / CODE  
Serie 208

## PERDITE DI CARICO / PRESSURE DROPS

