

# TECHNICAL DATA

rev.00/00 del 01/10/08

 CODE  
**Serie 250 EXPORT**

## ΔΙΑΚΟΠΤΕΣ ΚΑΛΟΡΙΦΕΡ

### DESCRIPTION

Radiator valve simple regulation.  
 Threaded end/connection copper

### PICTURE

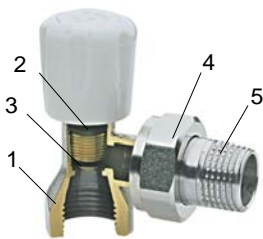


250VO

255VO

260VO

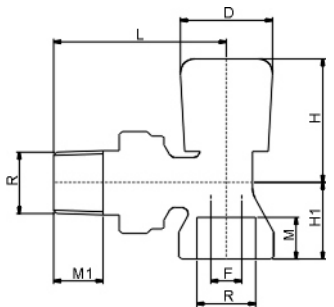
265VO



### VALVE FEATURES

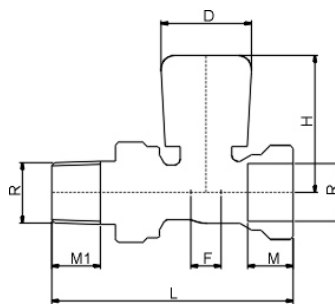
1: body :	CW617N
2: headwork :	CW614N
3: gaskets :	EPDM
4: nut:	CW617N
5: tail	CW617N
10 bar / 110°C	

### LEADING DIMENSIONS



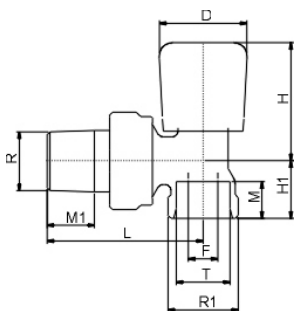
260VO

R"	3/8	1/2
F		10
L		50
H		41
H1		23
M		10
M1		12
D		31



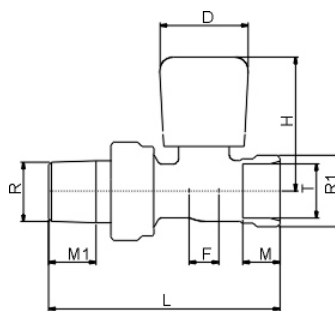
265VO

R"	3/8	1/2
F		10
L		68
H		48
H1		-
M		10
M1		12
D		31



250VO

R"	3/8	1/2
R1	1/2"	1/2"
T	16	16
F	10	10
L	50	52
H	40	40
H1	25	25
M	12	12
M1	11	12
D	31	31



255VO

R"	3/8	1/2
R1	1/2"	1/2"
T	16	16
F	10	10
L	66	77
H	40	40
M	12.5	12.5
M1	11	12
D	31	31



# TECHNICAL DATA

rev.00/00 del 01/10/08

CODE  
Serie 250 EXPORT

## PRESSURE DROPS

