

F626 GEM Butterfly Valve

CRANE

2710xxA 1/2

PN16 Semi Lugged Butterfly valve to BSEN593

Key Features:

- Aluminium Bronze disc, EPDM liner
- Stainless steel shaft
- High temperature -10 to 130 Deg C
- Lockable trigger lever
- Valves are suitable for use with flanges conforming to BSEN1092-2 PN10 or PN16 and ANSI B16.1 Class 125

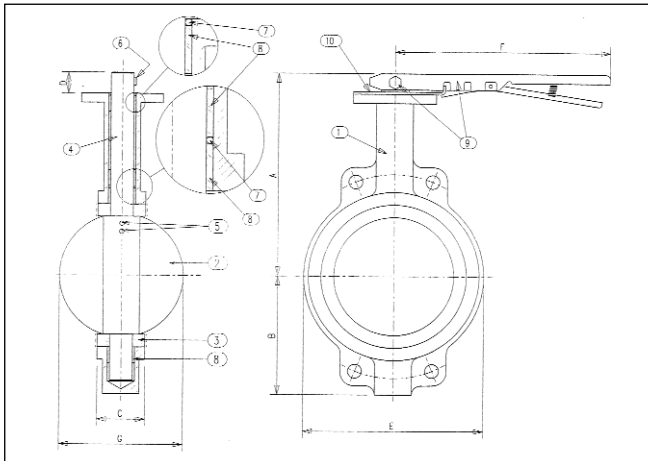
ΠΙΣΤΟΛΟΙ ΔΕΣ ΟΡΕΙΧΑΛΚΙΝΟΥ ΔΙΣΚΟΥ PN16

Bill of Materials

Sequence	Description	Material
1	Body	Ductile Iron ASTM A536 (Epoxy Paint)
2	Disc	Aluminium Bronze
3	Liner	EPDM
4	Shaft	Stainless Steel Type 410
5	Taper Pin	Stainless Steel Type 316
6	Key	Carbon Steel
7	O Ring	Buna-N
8	Bushing	PTFE
9	Lever & Screw	Carbon Steel (Epoxy Paint)
10	Stop Plate	Carbon Steel (Zn Plated)



Dimensional Drawing



Dimensions and Weights

Size	Weight (kg)	A (mm)	B (mm)	C (mm)	D (mm)	E (mm)	F (mm)	G (mm)
50mm	3	195	83	44	32	102	260	32
65mm	4	207	95	48	32	121	260	46
80mm	5	213	102	48	32	130	260	64
100mm	7	232	124	54	32	171	260	90
125mm	8	245	136	57	32	197	260	111
150mm	9	257	150	57	32	219	260	145
200mm	15	305	197	63	44	268	356	193

Pressure Rating: PN16 / ANSI Class 125

End Connection: Semi-Lugged

Operating Instructions:

Lockable trigger lever

Specification:

This valve is not suitable for use with unstable fluids, as defined by the Pressure Equipment Directive 97/23/EC.

Temperature Operating Range: -10 to 130 degrees celsius

Valves are designed in accordance with BSEN593 (supersedes BS5155).



CHRYSSAFIDIS

F627 GEM Butterfly Valve

CRANE[®]

2710xxA 2/2

PN16 Semi Lugged Butterfly valve to BSEN593

Key Features:

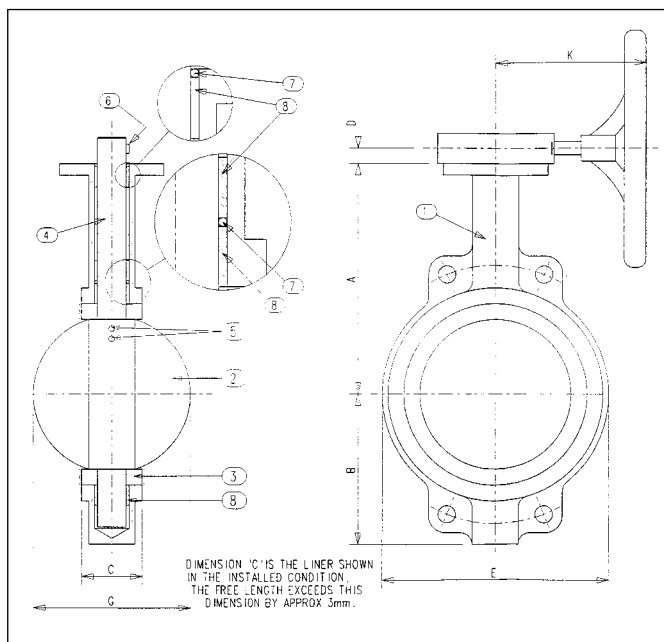
- Aluminium Bronze disc, EPDM liner
- Stainless steel shaft
- High temperature -10 to 130 Deg C
- Gearbox operated
- Valves are suitable for use with flanges conforming to BSEN1092-2 PN10 or PN16 and ANSI B16.1 Class 125
- Sizes 350mm to 600mm PN16 only

Bill of Materials

Sequence	Description	Material
1	Body	Ductile Iron ASTM A536 (Epoxy Paint)
2	Disc	Aluminium Bronze
3	Liner	EPDM
4	Shaft	Stainless Steel Type 410
5	Taper Pin	Stainless Steel Type 316
6	Key	Carbon Steel
7	O Ring	Buna-N
8	Bushing	PTFE
9	Lever & Screw	Carbon Steel (Epoxy Paint)
10	Stop Plate	Carbon Steel (Zn Plated)



Dimensional Drawing



Dimensions and Weights

Size	Weight (kg)	A (mm)	B (mm)	C (mm)	D (mm)	E (mm)	F (mm)	G (mm)	H (mm)	I (mm)	J (mm)
50mm	7	162	83	44	42	102	150	32	60	75	240
65mm	8	175	95	48	42	121	150	46	60	75	240
80mm	9	181	102	48	42	130	150	64	60	75	240
100mm	10	200	124	54	42	171	150	90	60	75	240
125mm	17	213	136	57	42	197	300	111	60	75	240
150mm	18	225	150	57	42	219	300	145	60	75	240
200mm	25	260	197	63	40	268	300	193	80	80	230
250mm	31	292	210	70	40	332	300	241	80	80	230
300mm	44	337	248	79	40	410	300	290	80	80	230
350mm	60	368	279	79	40	435	300	325	80	80	230
400mm	93	400	305	89	*	508	450	380	*Gear Box Dimensions Available On Request		
450mm	112	422	381	108	*	543	450	427			
500mm	156	479	381	133	*	592	450	474			
600mm	251	562	457	156	*	708	450	574			

Pressure Rating: PN16 / ANSI Class 125 (up to 12" only)

End Connection: Semi-Lugged

Operating Instructions:

Gearbox operated

Specification:

This valve is not suitable for use with unstable fluids, as defined by the Pressure Equipment Directive 97/23/EC.

Temperature Operating Range: -10 to 130 degrees celsius

Valves are designed in accordance with BSEN593 (supersedes BS5155).



CHRYSSAFIDIS