

## ΒΙΔΩΤΑ ΥΔΡΟΜΕΤΡΑ ΥΓΡΟΥ ΤΥΠΟΥ

**LXS-15E~50E**

NG1

**MULTI-JET WET  
TYPE VANE WHEEL  
WATER METER****CHRYSSAFIDIS****Application**

Measuring the volume of cold potable water passing through the pipeline.

**Features**

c-type new developed water meter, a pointer-roller indicator, low starting flow rate, easy and clear reading etc.

**Note:**

1. Technical data conform to International Standard ISO4064
2. Available in hot water meter LXS/R-15E~50E size range from 15mm to 50mm on request.



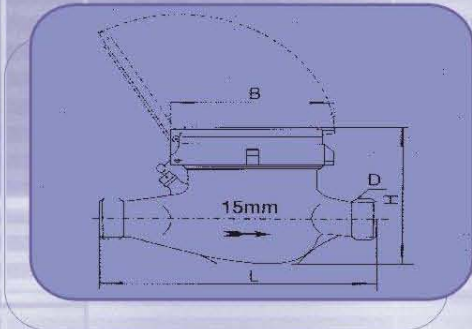
## MULTI-JET WET TYPE VANE WHEEL WATER METER

### Working Condition

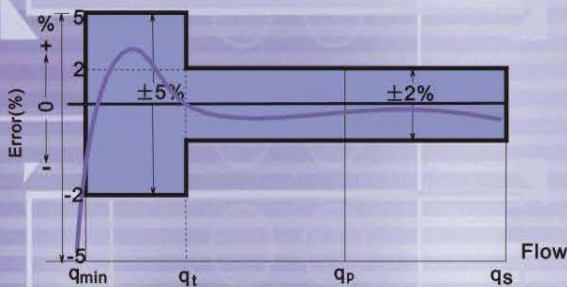
Water temperature:  
 ≤40°C for cold potable water meter  
 ≤90°C for hot water meter  
 Water pressure: ≤1Mpa

### Maximum Permissible Error

- a) In the lower zone from  $Q_{min}$  inclusive up to but excluding  $Q_t$  is  $\pm 5\%$
- b) In the upper zone from  $Q_t$  inclusive up to and including  $Q_s$  is cold potable water meter  $\pm 2\%$   
 (Hot water meter  $\pm 3\%$ )



Flow Error Curve



### Main Technical Data

Type	Size mm	Class	$Q_s$ Max. Flow	$Q_p$ Nominal Flow	$Q_t$ Transitional Flow	$Q_{min}$ Min Flow	Min. Reading	Max. Reading
LXS-15E	15	A	3	1.5	0.15	60	0.0001	99999
		B			0.12	30		
		C			0.0225	15		
LXS-20E	20	A	5	2.5	0.25	100	0.0001	99999
		B			0.20	50		
		C			0.0375	25		
LXS-25E	25	A	7	3.5	0.35	140	0.0001	99999
		B			0.28	70		
		C			0.0525	35		
LXS-32E	32	A	12	6	0.60	240	0.0001	99999
		B			0.48	120		
		C			0.09	60		
LXS-40E	40	A	20	10	1.00	400	0.001	999999
		B			0.80	200		
		C			0.24	100		
LXS-50E	50	A	30	15	1.50	600	0.001	999999
		B			1.20	300		

### Dimensions and Weight

Type	size	Length L	Width B	Height H	Connecting Thread D	Weight kg
		mm				
LXS-15E	15	165	98	104	G 3/4B	1.2/1.3
LXS-20E	20	190/195	98	106	G 1B	1.3/1.4
LXS-25E	25	260/225	103	112	G1 1/4B	1.65/1.57
LXS-32E	32	260/230	103	117	G1 1/2B	2.23/2
LXS-40E	40	300/245	124	147	G 2B	4/4.4
LXS-50E	50	300/280	125	172	G2 1/2B	4.3
					GB4216.4-84 D=φ165 D1=φ125	10/5

### Pressure Loss Curve

