

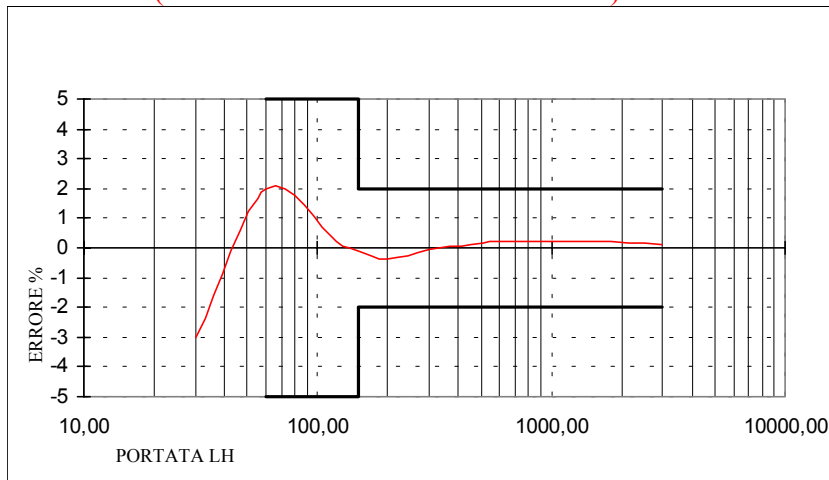

CD ONE TRP CDTRP006.IN


CHARACTERISTICS

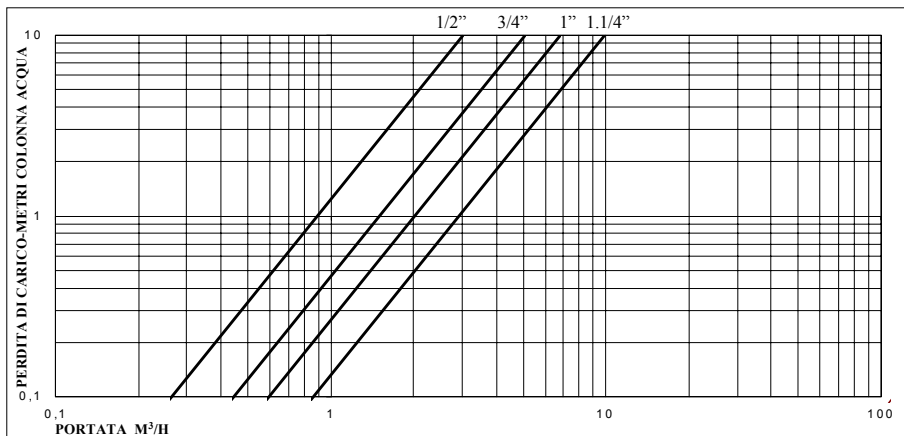
Single jet water meter sealed register type.

- Appoved according to Class B EEC 75/33 (on request we can supply the meter Qn 1.5 and 2.5 approved in Class C).
- Cold water: maximum operating temperature 50°C
- Body in hot forged brass (OT58)
- Closing ring in hot forged brass (OT58)
- The lid can rotate freely around 360°.
- Glass cover 6 mm thick tempered glass
- Nominal working pressure (PN) 16 bar
- 100% of total production hydraulically tested on 3 points of the curve (Qmin, Qt, Qmax) carried out by testing devices designed according to ISO 4064/3 and 4185, and approved by an European metrological Institute.
- On request the meter can be supplied pre-equipped for reed-switch emitter..

TYPICAL ERROR CURVE (CLASS B EEC 75/33 - ISO 4046/I)

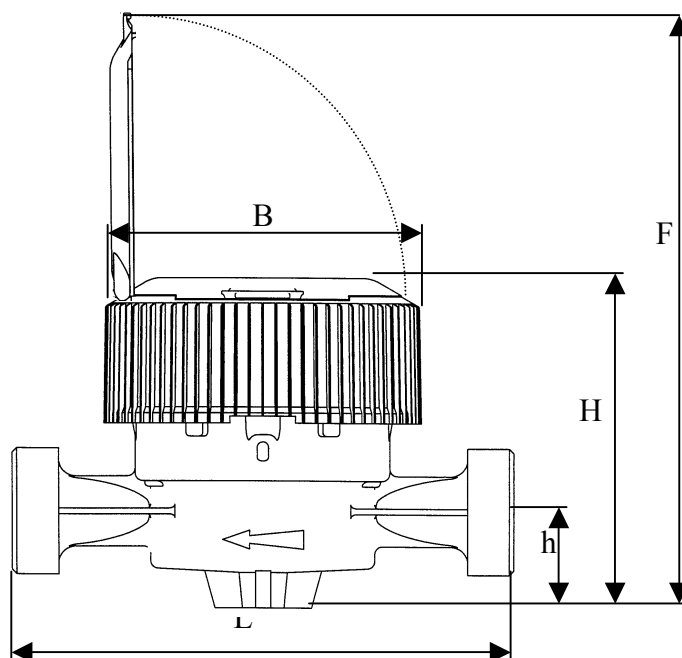


HEADLOSS DIAGRAM


CHRYSSAFIDIS

OVERALL DIMENSIONS AND HYDRAULIC PERFORMANCES

SIZE	mm	15	20	25	30
	inches	½"	¾"	1"	1¼"
Performances according to ECC Class B (C) 75/33					
Q _{min}	l/h	30 (15 C)	50	70	100
Q _t	l/h	120 (22.5 C)	150	280	400
Q _n	m ³ /h	1.5	2.5	3.5	5.0
Q _{max}	m ³ /h	3.0	5.0	7.0	10.0
Real Performances					
Q _{min}	l/h	12.5	25	70	100
Q _t	l/h	22.5	37.5	280	400
Q _n	m ³ /h	1.5	2.5	3.5	5.0
Q _{max}	m ³ /h	5.0	5.0	7	10
Starting flow	l/h	7 - 8	8 - 10	20 22	23 25
Head of loss at Q _{max}	bar	1	1	1	1
Nominal Pressure	bar	16	16	16	16
Maximum Reading	m ³	100.000	100.0000	100.000	100.000
Minimum reading	l	0.5	0.5	0.5	0.5
Turbine revolution per litre		29.76	22.83	12.53	12.53
Weight without couplings	kg	0.75	0.92	1.25	1.25
L	mm	110	130	160	160
l (length with couplings)	mm	190	228	260	282
H	mm	86	86	86	86
h	mm	25.51	25.51	28	33
F		158	158	158	158
B	mm	82	82	82	82
Nr. of EEC approval (Cold water)		B90 317.08	B90 317.09	I 01 06.01.042	
Nr. of EEC approval (Warm water)		B95 48.0308	B95 48.04	-	-



 **maddalena**


CHRYSSAFIDIS

MADDALENA S.R.L.

P.O. BOX 227 - 33100 UDINE (ITALY) - Tel ++39.0432.634811 - Fax ++39.0432.679820 - e-mail: info@maddalena-meters.it