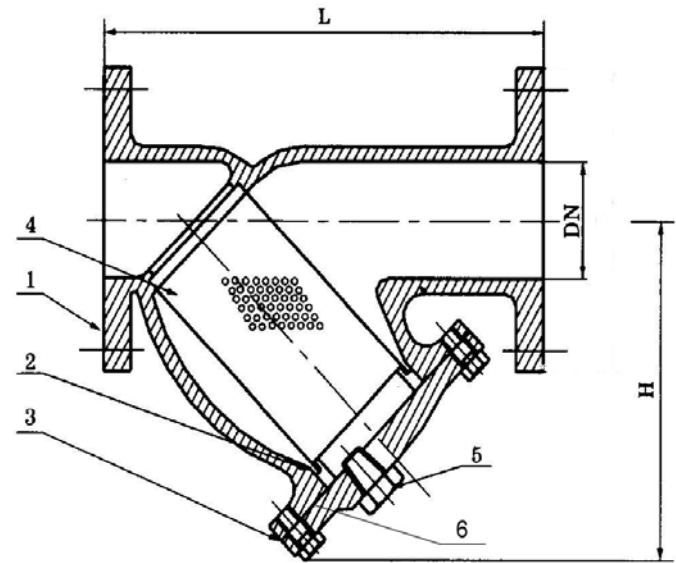




**Cast iron strainer flanged, PN16**

**ΦΙΛΤΡΑ ΧΥΤΟΣΙΔΗΡΑ ΦΛΑΝΤΖΩΤΑ PN16**



**Parts**

No.	Parts name	Material
1	Body	Cast iron GG25
2	Collar	Cast iron GG25
3	Cover	Cast iron GG25
4	Screen	Stainless steel X5CrNi89 (1.4301) -SS304
5	Plug	Ductile iron GGG50
6	Gasket	Graphite

**Test**

Norminal pressure : 16 Bar
Shell pressure: 24 Bar
Seat pressure: 17.6 Bar

**Design**

1	DESIGN ACCORDING TO DIN 3202-F1
2	Flanged drilled acc to DIN 2532/2533
3	Internal and external coating by Fluid epoxy painting, which can be suitable for potable water.

**Dimension**

in mm

Norminal Diam	L	H	Dimention of Flange				Unit weight (Kgs)
			Dia. of flange	Nos. of hole	Dia. of hole	P.C.D.	
DN15	130	75	95	4	14	95	3
DN20	150	80	105	4	14	105	3,5
DN25	160	90	115	4	14	115	4
DN32	180	100	140	4	18	140	6
DN40	200	105	150	4	18	110	8
DN50	230	125	165	4	18	125	11
DN65	290	150	185	4	18	145	16
DN80	310	175	200	8	18	160	23
DN100	350	195	220	8	18	180	29
DN125	400	235	250	8	18	210	38
DN150	480	275	285	8	22	240	61
DN200	600	350	340	12	22	295	115
DN250	730	420	405	12	26	355	170
DN300	850	490	460	12	26	410	220