



CHRYSSAFIDIS

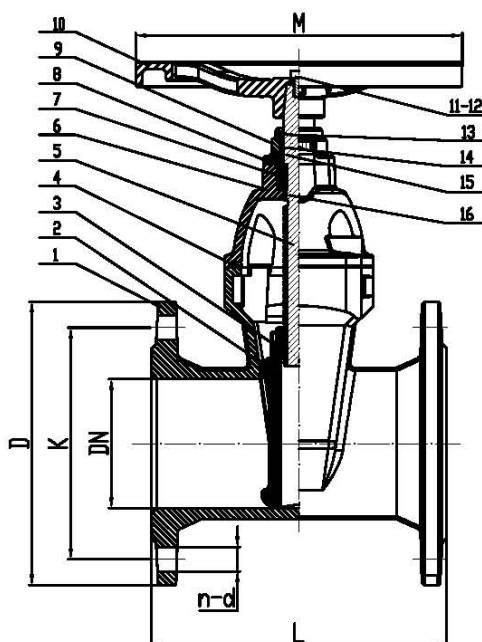
Non-rising Stem Resilient Seated Gate Valves

Reference Standard

Design	EN 1171
Flange	EN 1092-2
Face to Face	DIN3352-F4
Tests	EN 12266-1

Main Technical Parameters

DN	DN50-600	
PN	1.0/1.6MPa	
Test pressure	Strength	1.5/2.4MPa
	Seal up	1.1/1.8MPa
Temperature	0-80°C	
Medium	Clear, sewage, air	
Drive form	Handwheel	



16	O Ring	NBR	ISO 4633
15	Separated sets of nylon	nylon 66	
14	O Ring	NBR	ISO 4633
13	Dust Ring	NBR	ISO 4633
12	Washers	A2-70	ASTM A959
11	Bolts	A2-70	ASTM A959
10	Handwheel	GGG50	DIN 1693
9	Gland	GGG50	DIN 1693
8	O Ring	NBR	ISO 4633
7	Holding Ring	CuZn39Pb1	EN 12167
6	Bonnet	GGG40	DIN 1693
5	Stem	SS420	ASTM A959
4	Bonnet Gasket	NBR	ISO 4633
3	Stem Nut	CuZn39Pb1	EN 12167
2	Disc	EPDM+GGG50	DIN 1693
1	Body	GGG40	DIN 1693
ITEM	PART NAME	MATERIAL	STANDARD

DN	DIN-F4 L	M	END FLANGE PN10/16 mm		
			EN1092-2		
			D	K	n-d
50	150	200	165	125	4-Ø19
65	170	200	185	145	4-Ø19
80	180	254	200	160	8-Ø19
100	190	254	220	180	8-Ø19
125	200	315	250	210	8-Ø19
150	210	315	285	240	8-Ø23
200	230	315	340	295	8-Ø23/12-Ø23
250	250	406	405	350/355	12-Ø23/12-Ø28
300	270	406	460	400/410	12-Ø23/12-Ø28
350	290	500	520	460/470	16-Ø23/16-Ø28
400	310	500	580	515/525	16-Ø28/16-Ø31
450	330	500	640	565/585	20-Ø28/20-Ø31
500	350	650	715	620/650	20-Ø28/20-Ø34
600	390	650	840	725/770	20-Ø31/20-Ø37