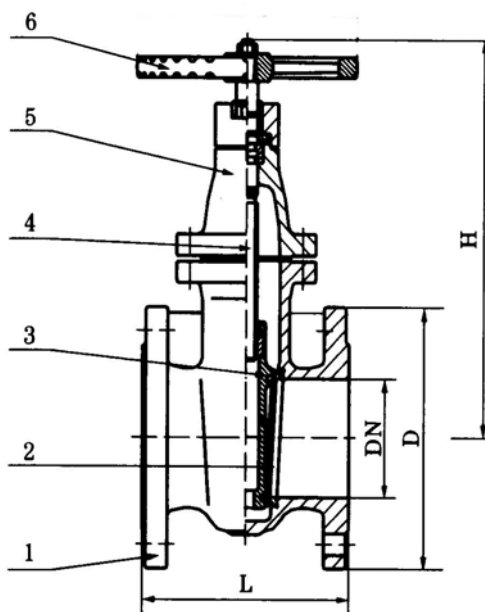




## BΑΝΕΣ ΣΥΡΤΗ ΧΥΤΟΣΙΔΗΡΕΣ PN16

### Cast iron wedge gate valve flat body F4 PN16



With cap operated

#### Parts

No.	Parts name	Material
1	Body	Cast iron GG25
2	Wedge	Cast iron GG25
3	Seat	Brass
4	Stem	Stainless steel
5	Bonnet	Cast iron GG25
6	Handwheel	Cast iron GG25

#### Test

Nominal pressure : 16 Bar
Shell pressure: 24 Bar
Seat pressure: 17.6 Bar

#### Design

1	DESIGN ACCORDING TO DIN 3352 PART 4
2	OVERALL LENGTH TO DIN 3202 PART 1, F4
3	Internal and external coating by Fluid epoxy painting, which can be suitable for potable water.

#### Dimension

in mm

Norminal Diam.	L	H	Dimention of Flange				Unit weight (Kgs)
			Dia. of flange	Nos. of hole	Dia. of hole	P.C.D.	
DN50	150	240	165	4	18	125	16
DN65	170	260	185	4	18	145	19
DN80	180	290	200	8	18	160	24
DN100	190	340	220	8	18	180	30
DN125	200	400	250	8	18	210	45
DN150	210	440	285	8	22	240	58
DN200	230	550	340	12	22	295	90
DN250	250	670	405	12	26	355	145
DN300	270	710	460	12	26	410	190