

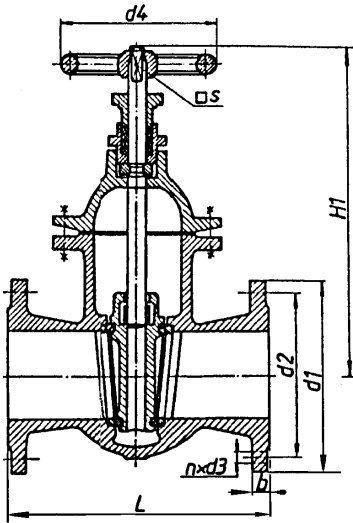


**OVAL BODY GATE VALVES,  
PN 16, MANUALLY OPERATED**

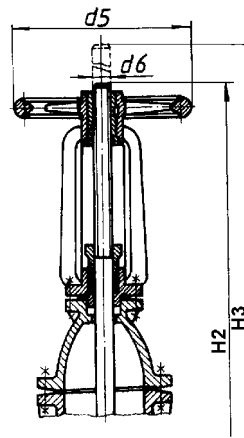
RSO – 16  
page 9 S  
revision

0			
---	--	--	--

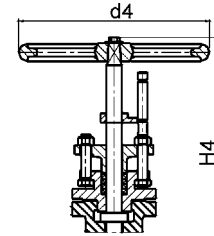
**NRS – non-rising stem**



**OS&Y – rising stem**



**NRS – with position indicator**



**DESIGN CHARACTERISTICS :**

- design - ISO 5996; DIN 3352;
- overall length - ISO 5752 - S15; DIN 3202 – F5;
- connecting flanges - PN 16 ISO 7005 - 2; BS EN 1092-2; DIN 2501.

**MATERIALS:**

- body, bonnet, wedge: - cast iron EN GJL 250 SR EN 1561-99 -GG25 DIN1691;
- ductile iron EN GJS 500-7 SR EN 1563; GG50 DIN 1693, *on special request*;
- stem: - min. 11,5% Cr stainless steel - 410 S21 BS 1506 - X20Cr13 DIN 17440;
- handwheel: - cast iron EN GJL 250 SR EN 1561,GG25 DIN 1691;
- aluminium alloy for DN ≤ 150.

**SEALING TYPE:**

- body-wedge: - Fc/Fc – all cast iron;
- Ac/Ac – all copper alloy;
- lx/lx - all min. 11,5% Cr stainless steel;
- body-bonnet: - asbestos free sheet;
- bonnet-stem: - asbestos free rings.

**WORKING TEMPERATURE:**

Tmax/Tmin: 150°C/-10°

**NOTE:** on special request valves are provided with draining plug.

(dimensions in mm)

DN	L	H1	H2	H3	H4	Connecting flanges			b	d4 / s	d5/d6	Net weight, ~(kg)					ξ Head loss factor
						d1	d2	nxd3				NRS		OS&Y	NRS with position indicator		
												Cast iron handwheel	Aluminium handwheel		Cast iron handwheel	Aluminium handwheel	
40	240	234	332	377	255	150	110	4x18	18	200/14	200/20	14.5	13.5	15.5	15	14	0.41
50	250	248	347	402	270	165	125		20			18.4	17.4	20	19	18	
65	270	290	424	494	320	185	145		8x18	22	250/17	250/24	27	25	30.5	28.5	
80	280	312	454	539	345	200	160	24		31			29	35	34	31.8	
100	300	368	511	621	415	220	180	26		315/19	315/26	41.2	-	46.5	44	-	0.39
125	325	394	572	707	450	250	210		52			62	58				
150	350	440	640	805	470	285	240		8x22			65	74	70			
200	400	580	850	1065	670	340	295	12x22	30	400/24	400/32	131	-	140	130	-	0.38
250	450	675	1005	1270	755	405	355	12x26	32	500/27	500/36	201	-	210	203	-	
300	500	755	1190	1505	850	460	410					36	278	286	283	0.37	
350	550	870	1385	1755	915	520	470	16x26	36	355	368	360	0.36				
400	600	970	1500	1920	1205	580	525	16x30	38	630/32	630/44	500	520	505	0.35		

For confirmation, please use the technical sheet of agreement (FTC 9)

Rights reserved to modify dimensions or weights depending on the technical

**EDITION 2003**