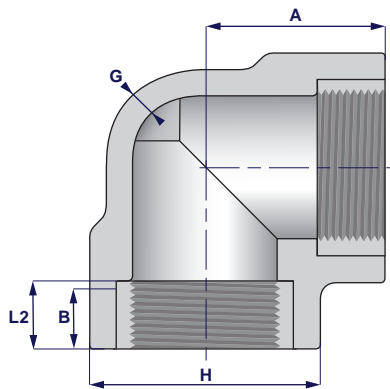


INDICE - INDEX

RACCORDI FILETTATI THREADED FITTINGS				RACCORDI A TASCA SOCKET WELD FITTINGS			
Gomito 90° Elbow 90°	P. 2	Nipplo esag. hexagonal nipple	P. 26	Gomito 90° Elbow 90°	P. 3	Nippolet Nippolet	P. 44
Gomito 45° Elbow 45°	P. 4	Nipplo esag. rid. exagonal red. nipple	P. 27	Gomito 45° Elbow 45°	P. 5	Boss Boss	P. 46
Tee Tee	P. 6	Riduzione F/T M/F Bush	P. 28	Tee Tee	P. 7	Boss BS 3799 Boss BS 3799	P. 47
Croce Cross	P. 8	Nipplo tubo Pipe nipple	P. 29	Croce Cross	P. 9	Welding boss Welding boss	P. 48
Tee e croci rid. red. fitting tee	P. 10	Nipplo tubo rid. swage nipple	P. 30	Tee e croci rid. red. fitting tee	P. 11		
Gomito M/F Street elbow	P. 12	bocchettone Union	P. 35	Gomito M/F Street elbow	P. 13		
Manicotto Coupling	P. 14	Bocc. M/F M/F Union	P. 36	Manicotto Coupling	P. 15		
Manicotto rid. Red. Coupling	P. 18	Gomito e tee Bocc. Union elbow and tee	P. 37	Manicotto rid. Red. Coupling	P. 16		
Manicotto F/T SW/T coupling	P. 19	Derivazione Screwbranches	P. 40	Mezzo Manicotto Half coupling	P. 21		
Mezzo Manicotto Half coupling	P. 20	Derivazione 45°/90° 45°/90° elbowbranches	P. 43	Tappo femmina Female plugs	P. 20		
Tappo femmina Femal plugs	P. 22	Nippolet Nippolet	P. 45	Inserto ridotto Reducing insert	P. 32		
Tappo m. esag. M. hexag. plugs	P. 24	Boss Boss	P. 46	Bocchettone Union	P. 44		
Rid. m. esag. M. hexag. Bush	P. 24	Boss BS 3799 Boss BS 3799	P. 47	Derivazione bw Weldbranches	P. 38		
Tappo m. quadra M. square plugs	P. 25	Welding boss Welding boss	P. 48	Derivazione tasca Soketbranches	P. 41		
Tappo m. tonda M. square plugs	P. 25	Boss combinato Combination boss	P. 49	Derivazione 45°/90° 45°/90° elbowbranches	P. 42		



2000 lbs

SIZE	A	H	G	Peso Kg./Cad. Weight Kilos/Each
			Spessore min. min. Wall Thickness	
1/8"	21	22	3.18	0.125
1/4"	21	22	3.18	0.125
3/8"	25	25	3.18	0.145
1/2"	28	33	3.18	0.285
3/4"	33	38	3.18	0.375
1"	38	46	3.68	0.550
1 1/4"	44	56	3.89	0.760
1 1/2"	51	62	4.01	1.000
2"	60	75	4.27	1.500
2 1/2"	76	92	5.61	3.650
3"	86	109	5.99	5.700
4"	106	146	6.55	11.500

3000 lbs

SIZE	A	H	G	Peso Kg./Cad. Weight Kilos/Each
			Spessore min. min. Wall Thickness	
1/8"	21	22	3.18	0.140
1/4"	25	25	3.30	0.175
3/8"	28	33	3.51	0.325
1/2"	33	38	4.09	0.465
3/4"	38	46	4.32	0.700
1"	44	56	4.98	1.080
1 1/4"	51	62	5.28	1.300
1 1/2"	60	75	5.56	2.360
2"	64	84	7.14	2.600
2 1/2"	83	102	7.65	5.700
3"	95	121	8.84	8.000
4"	114	152	11.18	15.500

6000 lbs

SIZE	A	H	G	Peso Kg./Cad. Weight Kilos/Each
			Spessore min. min. Wall Thickness	
1/8"	25	25	6.35	0.195
1/4"	28	33	6.60	0.360
3/8"	33	38	6.98	0.510
1/2"	38	46	8.15	0.820
3/4"	44	56	8.53	1.250
1"	51	62	9.93	1.650
1 1/4"	60	75	10.59	2.750
1 1/2"	64	84	11.07	3.550
2"	83	102	12.09	7.100
2 1/2"	95	121	15.29	11.000
3"	106	146	16.64	17.500
4"	114	152	18.67	16.500

QUOTE COMUNI A TUTTE LE SERIE TOLLERANZE COMUNI A TUTTE LE SERIE
DIMENSIONS COMMON TO ALL CLASSES TOLLERANCES COMMON TO ALL CLASSES

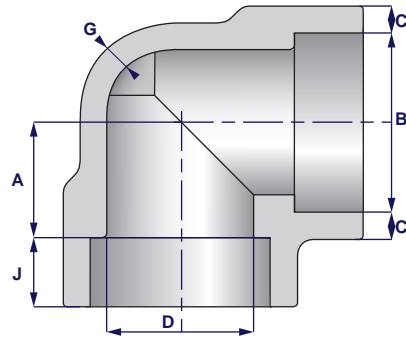
SIZE	B mini min.	L2 mini min.	SIZE	H	A
1/8"	6.4	6.7	1/8"	-0 +4	-0 +3
1/4"	8.1	10.2	1/4"	-0 +4	-0 +3
3/8"	9.1	10.4	3/8"	-0 +4	-0 +3
1/2"	10.9	13.6	1/2"	-0 +4	-0 +3
3/4"	12.7	13.9	3/4"	-0 +4	-0 +3
1"	14.7	17.3	1"	-0 +4	-0 +3
1 1/4"	17.0	18.0	1 1/4"	-0 +4	-0 +3
1 1/2"	17.8	18.4	1 1/2"	-0 +4	-0 +3
2"	19.0	19.2	2"	-0 +4	-0 +3
2 1/2"	23.6	28.9	2 1/2"	-0 +4	-0 +3
3"	25.9	30.5	3"	-0 +4	-0 +3
4"	27.7	33.0	4"	-0 +4	-0 +3

Note:

- Dimensioni in millimetri
- Dimensioni in accordo ANSI B 16.11
- I pesi sono indicativi

Remarks:

- Dimensions are in millimeters
- Dimensions in compliance with ANSI B 16.11
- Weights are approximate



3000 lbs

SIZE	B		D		C	G	J	A	A	Peso Kg./Cad. Weight Kilos/Each
	Min.	Max.	Min.	Max.	Min.	Min.	Min.	Tolleranze, ± Tolerances, ±		
1/8"	10.8	11.2	6.1	7.6	3.18	2.41	9.5	11.0	1.0	0.125
1/4"	14.2	14.6	8.5	10.0	3.30	3.02	9.5	11.0	1.0	0.125
3/8"	17.6	18.0	11.8	13.3	3.50	3.20	9.5	13.5	1.5	0.145
1/2"	21.8	22.2	15.0	16.6	4.09	3.73	9.5	15.5	1.5	0.275
3/4"	27.2	27.6	20.2	21.7	4.27	3.91	12.5	19.0	1.5	0.375
1"	33.9	34.3	25.9	27.4	4.98	4.55	12.5	22.5	2.0	0.550
1 1/4"	42.7	43.1	34.3	35.8	5.28	4.85	12.5	27.0	2.0	0.780
1 1/2"	48.8	49.2	40.1	41.6	5.54	5.08	12.5	32.0	2.0	1.050
2"	61.2	61.7	51.7	53.3	6.04	5.54	16.0	38.0	2.0	1.500
2 1/2"	73.9	74.4	61.2	64.2	7.67	7.01	16.0	41.0	2.5	3.000
3"	89.8	90.3	76.4	79.4	8.30	7.62	16.0	57.0	2.5	5.000
4"	115.2	115.7	100.7	103.8	9.35	8.56	19.0	66.5	2.5	9.000

6000 lbs

SIZE	B		D		C	G	J	A	A	Peso Kg./Cad. Weight Kilos/Each
	Min.	Max.	Min.	Max.	Min.	Min.	Min.	Tolleranze, ± Tolerances, ±		
1/8"	10.8	11.2	3.2	4.8	3.43	3.15	9.5	11.0	1.0	0.140
1/4"	14.2	14.6	5.6	7.1	4.01	3.68	9.5	13.5	1.0	0.175
3/8"	17.6	18.0	8.4	9.9	4.37	4.01	9.5	15.5	1.5	0.350
1/2"	21.8	22.2	11.0	12.5	5.18	4.78	9.5	19.0	1.5	0.400
3/4"	27.2	27.6	14.8	16.3	6.04	5.56	12.5	22.5	1.5	0.650
1"	33.9	34.3	19.9	21.5	6.93	6.35	12.5	27.0	2.0	0.950
1 1/4"	42.7	43.1	28.7	30.2	6.93	6.35	12.5	32.0	2.0	1.350
1 1/2"	48.8	49.2	33.2	34.7	7.80	7.14	12.5	38.0	2.0	2.100
2"	61.2	61.7	42.1	43.6	9.50	8.74	16.0	41.0	2.0	3.100

9000 lbs

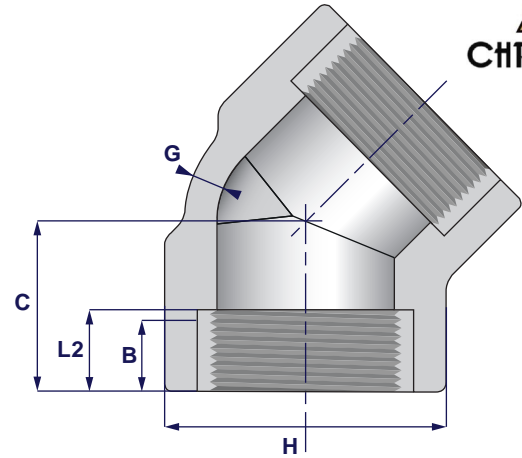
SIZE	B		D		C	G	J	A	A	Peso Kg./Cad. Weight Kilos/Each
	Min.	Max.	Min.	Max.	Min.	Min.	Min.	Tolleranze, ± Tolerances, ±		
1/2"	21.8	22.2	5.6	7.2	8.18	7.47	9.5	25.5	1.5	0.780
3/4"	27.2	27.6	10.3	11.8	8.56	7.82	12.5	28.5	1.5	1.150
1"	33.9	34.3	14.4	16.0	9.96	9.09	12.5	32.0	2.0	1.700
1 1/4"	42.7	43.1	22.0	23.5	10.62	9.70	12.5	35.0	2.0	2.400
1 1/2"	48.8	49.2	27.2	28.7	11.12	10.15	12.5	38.0	2.0	2.800
2"	61.2	61.7	37.4	38.9	12.12	11.07	16.0	54.0	2.0	6.250

Note:

- Dimensioni in millimetri
- Dimensioni in accordo ANSI B 16.11
- I pesi sono indicativi

Remarks:

- Dimensions are in millimeters
- Dimensions in compliance with ANSI B 16.11
- Weights are approximate



2000 lbs

SIZE	C	H	G	Peso Kg./Cad. Weight Kilos/Each
			Spessore min. min. Wall Thickness	
1/8"	17	22	3.18	0.105
1/4"	17	22	3.18	0.105
3/8"	19	25	3.18	0.130
1/2"	22	33	3.18	0.250
3/4"	25	38	3.18	0.310
1"	28	46	3.68	0.440
1 1/4"	33	56	3.89	0.670
1 1/2"	35	62	4.01	0.930
2"	43	75	4.27	1.210
2 1/2"	52	92	5.61	3.100
3"	64	109	5.99	5.200
4"	79	146	6.55	10.500

3000 lbs

SIZE	C	H	G	Peso Kg./Cad. Weight Kilos/Each
			Spessore min. min. Wall Thickness	
1/8"	17	22	3.18	0.120
1/4"	19	25	3.30	0.150
3/8"	22	33	3.51	0.280
1/2"	25	38	4.09	0.380
3/4"	28	46	4.32	0.560
1"	33	56	4.98	0.910
1 1/4"	35	62	5.28	1.150
1 1/2"	43	75	5.56	1.850
2"	44	84	7.14	2.100
2 1/2"	52	102	7.65	4.850
3"	64	121	8.84	6.650
4"	79	152	11.18	12.500

6000 lbs

SIZE	C	H	G	Peso Kg./Cad. Weight Kilos/Each
			Spessore min. min. Wall Thickness	
1/8"	19	25	6.35	0.165
1/4"	22	33	6.60	0.310
3/8"	25	38	6.98	0.420
1/2"	28	46	8.15	0.650
3/4"	33	56	8.53	1.050
1"	35	62	9.93	1.410
1 1/4"	43	75	10.59	2.150
1 1/2"	44	84	11.07	2.750
2"	52	102	12.09	6.150
2 1/2"	64	121	15.29	8.600
3"	79	146	16.64	15.000
4"	79	152	18.67	13.000

QUOTE COMUNI A TUTTE LE SERIE TOLLERANZE COMUNI A TUTTE LE SERIE
DIMENSIONS COMMON TO ALL CLASSES TOLLERANCES COMMON TO ALL CLASSES

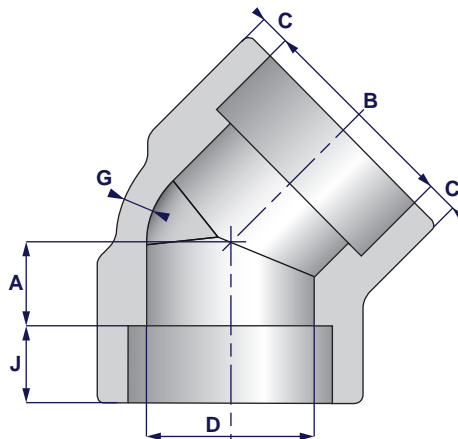
SIZE	B mini min.	L2 mini min.	SIZE	H	C
1/8"	6.4	6.7	1/8"	-0 +4	-0 +3
1/4"	8.1	10.2	1/4"	-0 +4	-0 +3
3/8"	9.1	10.4	3/8"	-0 +4	-0 +3
1/2"	10.9	13.6	1/2"	-0 +4	-0 +3
3/4"	12.7	13.9	3/4"	-0 +4	-0 +3
1"	14.7	17.3	1"	-0 +4	-0 +3
1 1/4"	17.0	18.0	1 1/4"	-0 +4	-0 +3
1 1/2"	17.8	18.4	1 1/2"	-0 +4	-0 +3
2"	19.0	19.2	2"	-0 +4	-0 +3
2 1/2"	23.6	28.9	2 1/2"	-0 +4	-0 +3
3"	25.9	30.5	3"	-0 +4	-0 +3
4"	27.7	33.0	4"	-0 +4	-0 +3

Note:

- Dimensioni in millimetri
- Dimensioni in accordo ANSI B 16.11
- I pesi sono indicativi

Remarks:

- Dimensions are in millimeters
- Dimensions in compliance with ANSI B 16.11
- Weights are approximate



3000 lbs

SIZE	B		D		C	G	J	A	A	Peso Kg./Cad. Weight Kilos/Each
	Min.	Max.	Min.	Max.						
1/8"	10.8	11.2	6.1	7.6	3.18	2.41	9.5	8.0	1.0	0.100
1/4"	14.2	14.6	8.5	10.0	3.30	3.02	9.5	8.0	1.0	0.100
3/8"	17.6	18.0	11.8	13.3	3.50	3.20	9.5	8.0	1.5	0.120
1/2"	21.8	22.2	15.0	16.6	4.09	3.73	9.5	11.0	1.5	0.240
3/4"	27.2	27.6	20.2	21.7	4.27	3.91	12.5	13.0	1.5	0.330
1"	33.9	34.3	25.9	27.4	4.98	4.55	12.5	14.0	2.0	0.460
1 1/4"	42.7	43.1	34.3	35.8	5.28	4.85	12.5	17.5	2.0	0.660
1 1/2"	48.8	49.2	40.1	41.6	5.54	5.08	12.5	20.5	2.0	1.890
2"	61.2	61.7	51.7	53.3	6.04	5.54	16.0	25.5	2.0	1.250
2 1/2"	73.9	74.4	61.2	64.2	7.67	7.01	16.0	28.5	2.5	2.650
3"	89.8	90.3	76.4	79.4	8.30	7.62	16.0	32.0	2.5	4.000
4"	115.2	115.7	100.7	103.8	9.35	8.56	19.0	41.0	2.5	8.000

6000 lbs

SIZE	B		D		C	G	J	A	A	Peso Kg./Cad. Weight Kilos/Each
	Min.	Max.	Min.	Max.						
1/8"	10.8	11.2	3.2	4.8	3.43	3.15	9.5	8.0	1.0	0.120
1/4"	14.2	14.6	5.6	7.1	4.01	3.68	9.5	8.0	1.0	0.150
3/8"	17.6	18.0	8.4	9.9	4.37	4.01	9.5	11.0	1.5	0.290
1/2"	21.8	22.2	11.0	12.5	5.18	4.78	9.5	12.5	1.5	0.320
3/4"	27.2	27.6	14.8	16.3	6.04	5.56	12.5	14.0	1.5	0.540
1"	33.9	34.3	19.9	21.5	6.93	6.35	12.5	17.5	2.0	0.770
1 1/4"	42.7	43.1	28.7	30.2	6.93	6.35	12.5	20.5	2.0	1.100
1 1/2"	48.8	49.2	33.2	34.7	7.80	7.14	12.5	25.5	2.0	1.700
2"	61.2	61.7	42.1	43.6	9.50	8.74	16.0	28.5	2.0	2.700

9000 lbs

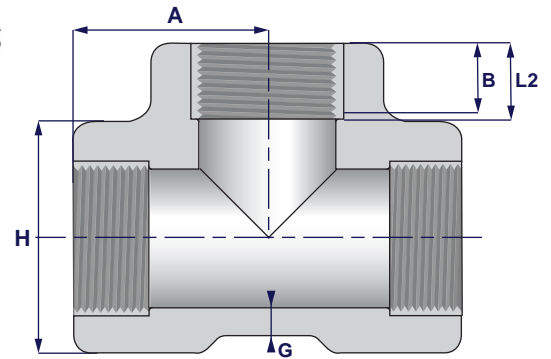
SIZE	B		D		C	G	J	A	A	Peso Kg./Cad. Weight Kilos/Each
	Min.	Max.	Min.	Max.						
1/2"	21.8	22.2	5.6	7.2	8.18	7.47	9.5	15.5	1.5	0.640
3/4"	27.2	27.6	10.3	11.8	8.56	7.82	12.5	19.0	1.5	0.930
1"	33.9	34.3	14.4	16.0	9.96	9.09	12.5	20.5	2.0	1.400
1 1/4"	42.7	43.1	22.0	23.5	10.62	9.70	12.5	22.5	2.0	1.800
1 1/2"	48.8	49.2	27.2	28.7	11.12	10.15	12.5	25.5	2.0	2.350
2"	61.2	61.7	37.4	38.9	12.12	11.07	16.0	28.5	2.0	4.400

Note:

- Dimensioni in millimetri
- Dimensioni in accordo ANSI B 16.11
- I pesi sono indicativi

Remarks:

- Dimensions are in millimeters
- Dimensions in compliance with ANSI B 16.11
- Weights are approximate



2000 lbs

SIZE	A	H	G Spessore min. min. Wall Thickness	Peso Kg./Cad. Weight Kilos/Each
1/8"	21	22	3.18	0.165
1/4"	21	22	3.18	0.165
3/8"	25	25	3.18	0.190
1/2"	28	33	3.18	0.370
3/4"	33	38	3.18	0.490
1"	38	46	3.68	0.715
1 1/4"	44	56	3.89	0.990
1 1/2"	51	62	4.01	1.300
2"	60	75	4.27	1.950
2 1/2"	76	92	5.61	4.750
3"	86	109	5.99	7.400
4"	106	146	6.55	15.000

3000 lbs

SIZE	A	H	G Spessore min. min. Wall Thickness	Peso Kg./Cad. Weight Kilos/Each
1/8"	21	22	3.18	0.180
1/4"	25	25	3.30	0.230
3/8"	28	33	3.51	0.420
1/2"	33	38	4.09	0.600
3/4"	38	46	4.32	0.910
1"	44	56	4.98	1.400
1 1/4"	51	62	5.28	1.690
1 1/2"	60	75	5.56	3.050
2"	64	84	7.14	3.400
2 1/2"	83	102	7.65	7.400
3"	95	121	8.84	10.400
4"	114	152	11.18	20.000

6000 lbs

SIZE	A	H	G Spessore min. min. Wall Thickness	Peso Kg./Cad. Weight Kilos/Each
1/8"	25	25	6.35	0.255
1/4"	28	33	6.60	0.470
3/8"	33	38	6.98	0.665
1/2"	38	46	8.15	1.070
3/4"	44	56	8.53	1.625
1"	51	62	9.93	2.150
1 1/4"	60	75	10.59	3.600
1 1/2"	64	84	11.07	4.600
2"	83	102	12.09	9.250
2 1/2"	95	121	15.29	14.500
3"	106	146	16.64	23.000
4"	114	152	18.67	21.500

QUOTE COMUNI A TUTTE LE SERIE
DIMENSIONS COMMON TO ALL CLASSES

SIZE	B mini min.	L2 mini min.
1/8"	6.4	6.7
1/4"	8.1	10.2
3/8"	9.1	10.4
1/2"	10.9	13.6
3/4"	12.7	13.9
1"	14.7	17.3
1 1/4"	17.0	18.0
1 1/2"	17.8	18.4
2"	19.0	19.2
2 1/2"	23.6	28.9
3"	25.9	30.5
4"	27.7	33.0

TOLLERANZE COMUNI A TUTTE LE SERIE
TOLERANCES COMMON TO ALL CLASSES

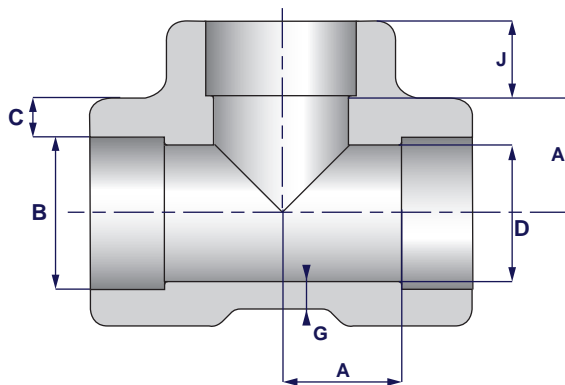
SIZE	H	C
1/8"	-0 +4	-0 +3
1/4"	-0 +4	-0 +3
3/8"	-0 +4	-0 +3
1/2"	-0 +4	-0 +3
3/4"	-0 +4	-0 +3
1"	-0 +4	-0 +3
1 1/4"	-0 +4	-0 +3
1 1/2"	-0 +4	-0 +3
2"	-0 +4	-0 +3
2 1/2"	-0 +4	-0 +3
3"	-0 +4	-0 +3
4"	-0 +4	-0 +3

Note:

- Dimensioni in millimetri
- Dimensioni in accordo ANSI B 16.11
- I pesi sono indicativi

Remarks:

- Dimensions are in millimeters
- Dimensions in compliance with ANSI B 16.11
- Weights are approximate



3000 lbs

SIZE	B		D		C	G	J	A	A	Peso Kg./Cad. Weight Kilos/Each
	Min.	Max.	Min.	Max.						
1/8"	10.8	11.2	6.1	7.6	3.18	2.41	9.5	11.0	1.0	0.165
1/4"	14.2	14.6	8.5	10.0	3.30	3.02	9.5	11.0	1.0	0.165
3/8"	17.6	18.0	11.8	13.3	3.50	3.20	9.5	13.5	1.5	0.190
1/2"	21.8	22.2	15.0	16.6	4.09	3.73	9.5	15.5	1.5	0.360
3/4"	27.2	27.6	20.2	21.7	4.27	3.91	12.5	19.0	1.5	0.490
1"	33.9	34.3	25.9	27.4	4.98	4.55	12.5	22.5	2.0	0.715
1 1/4"	42.7	43.1	34.3	35.8	5.28	4.85	12.5	27.0	2.0	1.010
1 1/2"	48.8	49.2	40.1	41.6	5.54	5.08	12.5	32.0	2.0	1.365
2"	61.2	61.7	51.7	53.3	6.04	5.54	16.0	38.0	2.0	1.950
2 1/2"	73.9	74.4	61.2	64.2	7.67	7.01	16.0	41.0	2.5	3.900
3"	89.8	90.3	76.4	79.4	8.30	7.62	16.0	57.0	2.5	6.300
4"	115.2	115.7	100.7	103.8	9.35	8.56	19.0	66.5	2.5	10.400

6000 lbs

SIZE	B		D		C	G	J	A	A	Peso Kg./Cad. Weight Kilos/Each
	Min.	Max.	Min.	Max.						
1/8"	10.8	11.2	3.2	4.8	3.43	3.15	9.5	11.0	1.0	0.180
1/4"	14.2	14.6	5.6	7.1	4.01	3.68	9.5	13.5	1.0	0.230
3/8"	17.6	18.0	8.4	9.9	4.37	4.01	9.5	15.5	1.5	0.450
1/2"	21.8	22.2	11.0	12.5	5.18	4.78	9.5	19.0	1.5	0.520
3/4"	27.2	27.6	14.8	16.3	6.04	5.56	12.5	22.5	1.5	0.850
1"	33.9	34.3	19.9	21.5	6.93	6.35	12.5	27.0	2.0	1.250
1 1/4"	42.7	43.1	28.7	30.2	6.93	6.35	12.5	32.0	2.0	1.750
1 1/2"	48.8	49.2	33.2	34.7	7.80	7.14	12.5	38.0	2.0	2.750
2"	61.2	61.7	42.1	43.6	9.50	8.74	16.0	41.0	2.0	4.000

9000 lbs

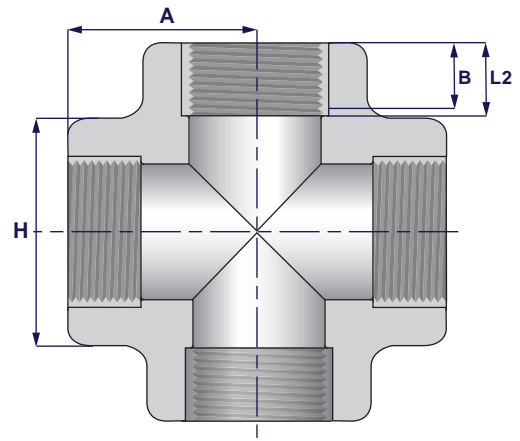
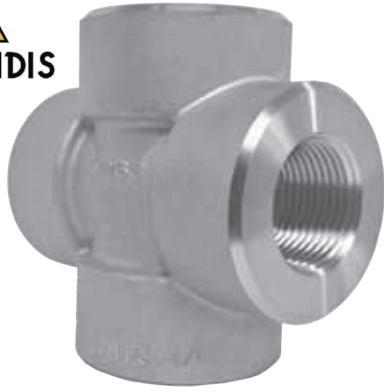
SIZE	B		D		C	G	J	A	A	Peso Kg./Cad. Weight Kilos/Each
	Min.	Max.	Min.	Max.						
1/2"	21.8	22.2	5.6	7.2	8.18	7.47	9.5	25.5	1.5	1.010
3/4"	27.2	27.6	10.3	11.8	8.56	7.82	12.5	28.5	1.5	1.500
1"	33.9	34.3	14.4	16.0	9.96	9.09	12.5	32.0	2.0	2.250
1 1/4"	42.7	43.1	22.0	23.5	10.62	9.70	12.5	35.0	2.0	3.150
1 1/2"	48.8	49.2	27.2	28.7	11.12	10.15	12.5	38.0	2.0	3.650
2"	61.2	61.7	37.4	38.9	12.12	11.07	16.0	54.0	2.0	8.200

Note:

- Dimensioni in millimetri
- Dimensioni in accordo ANSI B 16.11
- I pesi sono indicativi

Remarks:

- Dimensions are in millimeters
- Dimensions in compliance with ANSI B 16.11
- Weights are approximate



2000 lbs

SIZE	A	H	G Spessore min. min. Wall Thickness	Peso Kg./Cad. Weight Kilos/Each
1/8"	21	22	3.18	0.205
1/4"	21	22	3.18	0.205
3/8"	25	25	3.18	0.235
1/2"	28	33	3.18	0.465
3/4"	33	38	3.18	0.610
1"	38	46	3.68	0.900
1 1/4"	44	56	3.89	1.240
1 1/2"	51	62	4.01	1.630
2"	60	75	4.27	2.450
2 1/2"	76	92	5.61	6.000
3"	86	109	5.99	9.300
4"	106	146	6.55	19.000

3000 lbs

SIZE	A	H	G Spessore min. min. Wall Thickness	Peso Kg./Cad. Weight Kilos/Each
1/8"	21	22	3.18	0.230
1/4"	25	25	3.30	0.285
3/8"	28	33	3.51	0.530
1/2"	33	38	4.09	0.760
3/4"	38	46	4.32	1.140
1"	44	56	4.98	1.760
1 1/4"	51	62	5.28	2.100
1 1/2"	60	75	5.56	3.850
2"	64	84	7.14	4.240
2 1/2"	83	102	7.65	9.300
3"	95	121	8.84	13.000
4"	114	152	11.18	25.000

6000 lbs

SIZE	A	H	G Spessore min. min. Wall Thickness	Peso Kg./Cad. Weight Kilos/Each
1/8"	25	25	6.35	0.320
1/4"	28	33	6.60	0.590
3/8"	33	38	6.98	0.830
1/2"	38	46	8.15	1.350
3/4"	44	56	8.53	2.040
1"	51	62	9.93	2.700
1 1/4"	60	75	10.59	4.500
1 1/2"	64	84	11.07	5.800
2"	83	102	12.09	11.600
2 1/2"	95	121	15.29	18.000
3"	106	146	16.64	28.500
4"	114	152	18.67	27.000

QUOTE COMUNI A TUTTE LE SERIE
DIMENSIONS COMMON TO ALL CLASSES

SIZE	B mini min.	L2 mini min.
1/8"	6.4	6.7
1/4"	8.1	10.2
3/8"	9.1	10.4
1/2"	10.9	13.6
3/4"	12.7	13.9
1"	14.7	17.3
1 1/4"	17.0	18.0
1 1/2"	17.8	18.4
2"	19.0	19.2
2 1/2"	23.6	28.9
3"	25.9	30.5
4"	27.7	33.0

TOLLERANZE COMUNI A TUTTE LE SERIE
TOLLERANCES COMMON TO ALL CLASSES

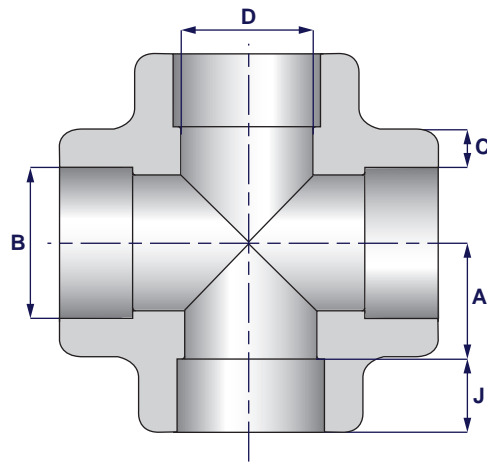
SIZE	H	C
1/8"	-0 +4	-0 +3
1/4"	-0 +4	-0 +3
3/8"	-0 +4	-0 +3
1/2"	-0 +4	-0 +3
3/4"	-0 +4	-0 +3
1"	-0 +4	-0 +3
1 1/4"	-0 +4	-0 +3
1 1/2"	-0 +4	-0 +3
2"	-0 +4	-0 +3
2 1/2"	-0 +4	-0 +3
3"	-0 +4	-0 +3
4"	-0 +4	-0 +3

Note:

- Dimensioni in millimetri
- Dimensioni in accordo ANSI B 16.11
- I pesi sono indicativi

Remarks:

- Dimensions are in millimeters
- Dimensions in compliance with ANSI B 16.11
- Weights are approximate



3000 lbs

SIZE	B		D		C	G	J	A	A	Peso Kg./Cad. Weight Kilos/Each
	Min.	Max.	Min.	Max.	Min.	Min.	Min.	Tolleranze, ± Tolerances, ±		
1/8"	10.8	11.2	6.1	7.6	3.18	2.41	9.5	11.0	1.0	0.205
1/4"	14.2	14.6	8.5	10.0	3.30	3.02	9.5	11.0	1.0	0.205
3/8"	17.6	18.0	11.8	13.3	3.50	3.20	9.5	13.5	1.5	0.235
1/2"	21.8	22.2	15.0	16.6	4.09	3.73	9.5	15.5	1.5	0.450
3/4"	27.2	27.6	20.2	21.7	4.27	3.91	12.5	19.0	1.5	0.610
1"	33.9	34.3	25.9	27.4	4.98	4.55	12.5	22.5	2.0	0.900
1 1/4"	42.7	43.1	34.3	35.8	5.28	4.85	12.5	27.0	2.0	1.270
1 1/2"	48.8	49.2	40.1	41.6	5.54	5.08	12.5	32.0	2.0	1.700
2"	61.2	61.7	51.7	53.3	6.04	5.54	16.0	38.0	2.0	2.450
2 1/2"	73.9	74.4	61.2	64.2	7.67	7.01	16.0	41.0	2.5	4.900
3"	89.8	90.3	76.4	79.4	8.30	7.62	16.0	57.0	2.5	8.150
4"	115.2	115.7	100.7	103.8	9.35	8.56	19.0	66.5	2.5	13.000

6000 lbs

SIZE	B		D		C	G	J	A	A	Peso Kg./Cad. Weight Kilos/Each
	Min.	Max.	Min.	Max.	Min.	Min.	Min.	Tolleranze, ± Tolerances, ±		
1/8"	10.8	11.2	3.2	4.8	3.43	3.15	9.5	11.0	1.0	0.230
1/4"	14.2	14.6	5.6	7.1	4.01	3.68	9.5	13.5	1.0	0.285
3/8"	17.6	18.0	8.4	9.9	4.37	4.01	9.5	15.5	1.5	0.570
1/2"	21.8	22.2	11.0	12.5	5.18	4.78	9.5	19.0	1.5	0.650
3/4"	27.2	27.6	14.8	16.3	6.04	5.56	12.5	22.5	1.5	1.060
1"	33.9	34.3	19.9	21.5	6.93	6.35	12.5	27.0	2.0	1.550
1 1/4"	42.7	43.1	28.7	30.2	6.93	6.35	12.5	32.0	2.0	2.200
1 1/2"	48.8	49.2	33.2	34.7	7.80	7.14	12.5	38.0	2.0	2.420
2"	61.2	61.7	42.1	43.6	9.50	8.74	16.0	41.0	2.0	5.050

9000 lbs

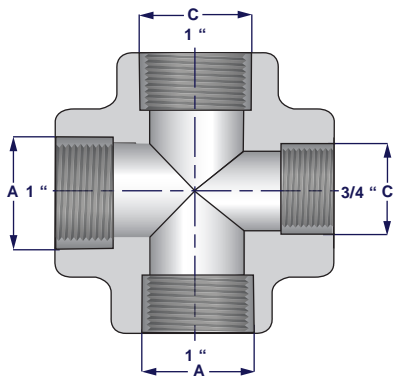
SIZE	B		D		C	G	J	A	A	Peso Kg./Cad. Weight Kilos/Each
	Min.	Max.	Min.	Max.	Min.	Min.	Min.	Tolleranze, ± Tolerances, ±		
1/2"	21.8	22.2	11.0	12.5	5.18	4.78	9.5	19.0	1.5	1.270
3/4"	27.2	27.6	14.8	16.3	6.04	5.56	12.5	22.5	1.5	1.875
1"	33.9	34.3	19.9	21.5	6.93	6.35	12.5	27.0	2.0	2.770
1 1/4"	42.7	43.1	28.7	30.2	6.93	6.35	12.5	32.0	2.0	3.950
1 1/2"	48.8	49.2	33.2	34.7	7.80	7.14	12.5	38.0	2.0	4.560
2"	61.2	61.7	42.1	43.6	9.50	8.74	16.0	41.0	2.0	10.000

Note:

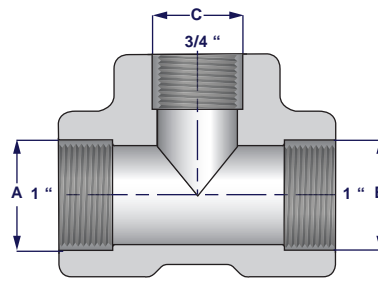
- Dimensioni in millimetri
- Dimensioni in accordo ANSI B 16.11
- I pesi sono indicativi

Remarks:

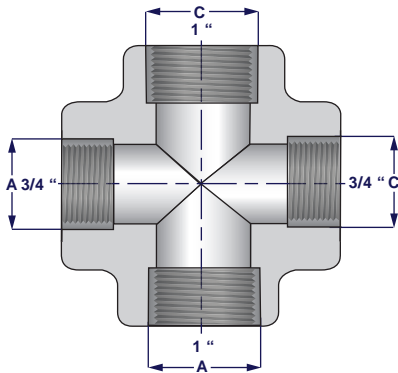
- Dimensions are in millimeters
- Dimensions in compliance with ANSI B 16.11
- Weights are approximate



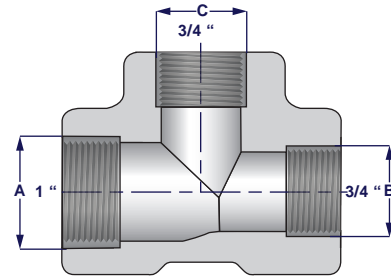
Reducing on one outlet
(1x1x1x3/4)



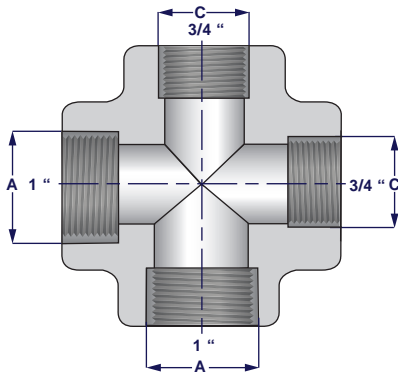
Reducing on outlet
(1x1x3/4)



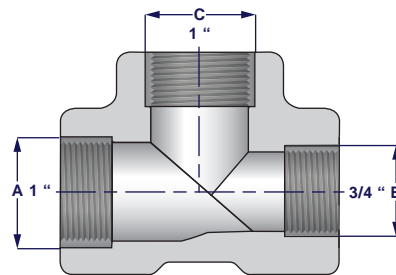
Reducing on one both outlet
(1x1x3/4x3/4)



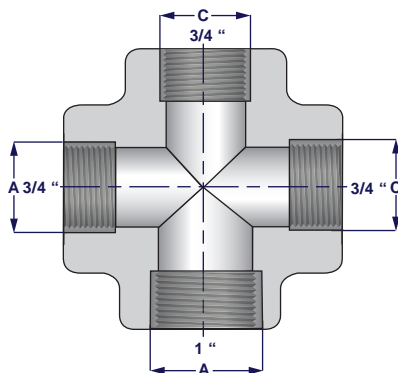
Reducing on one run and outlet
(1x3/4x3/4)



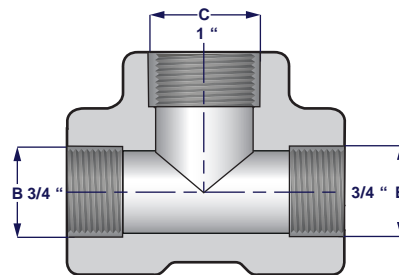
Reducing on one run and outlet
(1x3/4x1x3/4)



Reducing on one run
(1x3/4x1)



Reducing on one run and both outlet
(1x3/4x3/4x3/4)



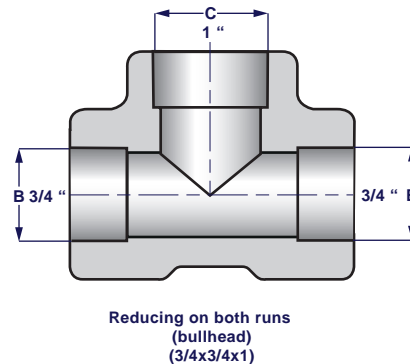
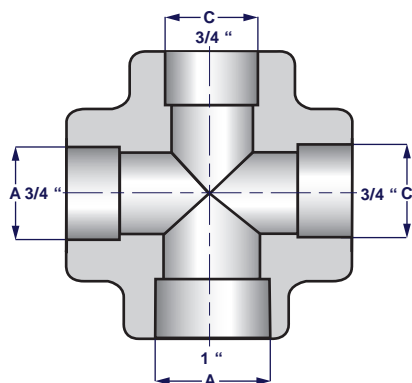
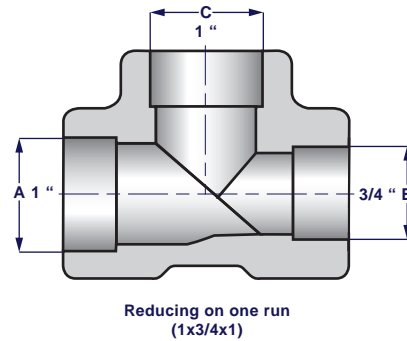
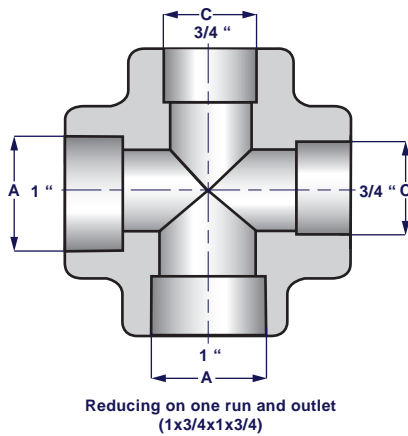
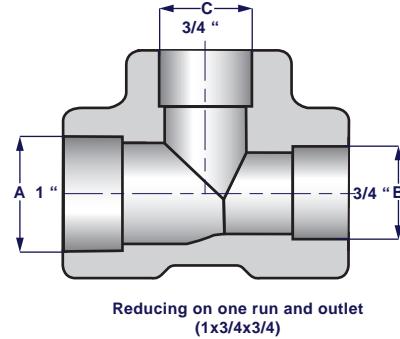
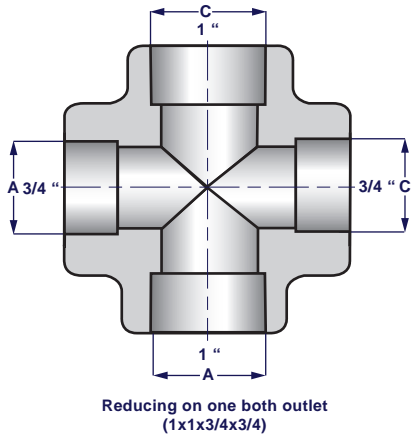
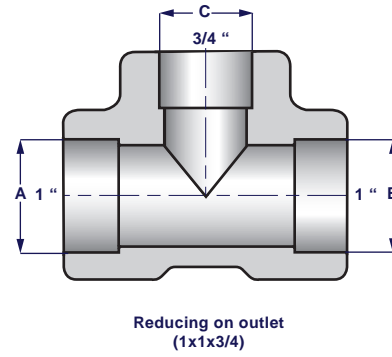
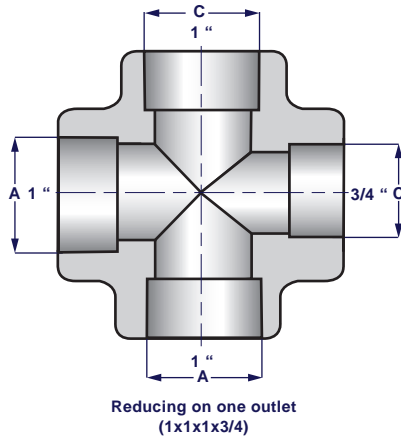
Reducing on both runs
(bullhead)
(3/4x3/4x1)

Note:

- Dimensioni in accordo ANSI B 16.11

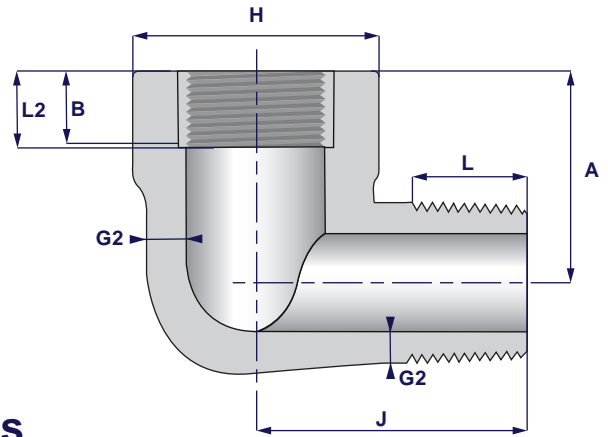
Remarks:

- Dimensions in compliance with ANSI B 16.11



Note:
• Dimensioni in accordo ANSI B 16.11

Remarks:
• Dimensions in compliance with ANSI B 16.11



3000 lbs

SIZE	A	J	H	G ₁ Min.	G ₂ Min.	B Min.	L2 Min.	L Min.	Peso Kg./Cad. Weight Kilos/Each
1/8"	19	25	19	3.18	2.74	6.4	6.7	10	0.100
1/4"	22	32	25	3.30	3.22	8.1	10.2	11	0.130
3/8"	25	38	32	3.51	3.50	9.1	10.4	13	0.215
1/2"	28	41	38	4.09	4.16	10.9	13.6	14	0.330
3/4"	35	48	44	4.32	4.88	12.7	13.9	16	0.540
1"	44	57	51	4.98	5.56	14.7	17.3	19	0.970
1 1/4"	51	66	62	5.28	5.56	17.0	18.0	21	1.100
1 1/2"	54	71	70	5.56	6.25	17.8	18.4	21	1.940
2"	64	84	84	7.14	7.64	19.0	19.2	22	2.340

6000 lbs

SIZE	A	J	H	G ₁ Min.	G ₂ Min.	B Min.	L2 Min.	L Min.	Peso Kg./Cad. Weight Kilos/Each
1/8"	22	32	25	5.08	4.22	6.4	6.7	10	0.130
1/4"	25	38	32	5.66	5.28	8.1	10.2	11	0.210
3/8"	28	41	38	6.98	5.59	9.1	10.4	13	0.330
1/2"	35	48	44	8.15	6.53	10.9	13.6	14	0.540
3/4"	44	57	51	8.53	6.86	12.7	13.9	16	0.970
1"	51	66	62	9.93	7.95	14.7	17.3	19	1.100
1 1/4"	54	71	70	10.59	8.48	17.0	18.0	21	1.940
1 1/2"	64	84	84	11.07	8.89	17.8	18.4	21	2.340
2"	83	105	102	12.09	9.70	19.0	19.2	22	5.000

**TOLLERANZE COMUNI A TUTTE LE SERIE
TOLERANCES COMMON TO ALL CLASSES**

DN SIZE	H	C
1/8"	-0 +4	-0 +3
1/4"	-0 +4	-0 +3
3/8"	-0 +4	-0 +3
1/2"	-0 +4	-0 +3
3/4"	-0 +4	-0 +3
1"	-0 +4	-0 +3
1 1/4"	-0 +4	-0 +3
1 1/2"	-0 +4	-0 +3
2"	-0 +4	-0 +3
2 1/2"	-0 +4	-0 +3
3"	-0 +4	-0 +3
4"	-0 +4	-0 +3

NOTE GENERALI: Dimensioni in millimetri.

Le dimensioni A - H possono essere variate a discrezione del produttore.

GENERAL NOTES: Dimensions are in millimeters.

Dimensions A- H for the appropriate fittings sizes may also be used at the manufacturer's discreptions

Note:

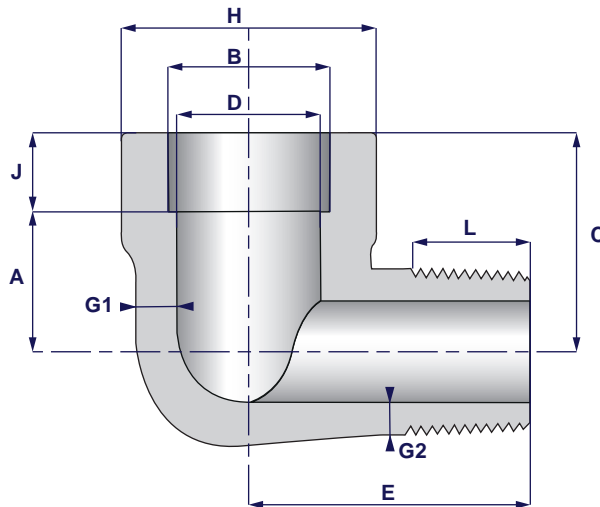
- Dimensioni in millimetri
- Dimensioni in accordo ANSI B 16.11
- I pesi sono indicativi

Remarks:

- Dimensions are in millimeters
- Dimensions in compliance with ANSI B 16.11
- Weights are approximate



CHRYSAFIDIS



3000 lbs

SIZE	H	B		D		G ₁	G ₂	J	A	L	E	C	Peso Kg./Cad. Weight Kilos/Each
		Min.	Max.	Min.	Max.								
1/8"	19	10.8	11.2	6.1	7.6	3.18	2.74	9.5	11.0	10	25	19	0.100
1/4"	25	14.2	14.6	8.5	10.0	3.30	3.22	9.5	11.0	11	32	22	0.130
3/8"	32	17.6	18.0	11.8	13.3	3.51	3.50	9.5	13.5	13	38	25	0.215
1/2"	38	21.8	22.2	15.0	16.6	4.09	4.16	9.5	15.5	14	41	28	0.330
3/4"	44	27.2	27.6	20.2	21.7	4.32	4.88	12.5	19.0	16	48	35	0.540
1"	51	33.9	34.3	25.9	27.4	4.98	5.56	12.5	22.5	19	57	44	0.970
1 1/4"	62	42.7	43.1	34.3	35.8	5.28	5.56	12.5	27.0	21	66	51	1.100
1 1/2"	70	48.8	49.2	40.1	41.6	5.56	6.25	12.5	32.0	21	71	54	1.940
2"	84	61.2	61.7	51.7	53.3	7.14	7.64	16.0	38.0	22	84	64	2.340

6000 lbs

SIZE	H	B		D		G ₁	G ₂	J	A	L	E	C	Peso Kg./Cad. Weight Kilos/Each
		Min.	Max.	Min.	Max.								
1/8"	19	10.8	11.2	3.2	4.8	5.08	4.22	9.5	11.0	10	25	19	0.110
1/4"	25	14.2	14.6	5.6	7.1	5.66	5.28	9.5	11.0	11	32	22	0.145
3/8"	32	17.6	18.0	8.4	9.9	6.98	5.59	9.5	13.5	13	38	25	0.237
1/2"	38	21.8	22.2	11.0	12.5	8.15	6.53	9.5	15.5	14	41	28	0.363
3/4"	44	27.2	27.6	14.8	16.3	8.53	6.86	12.5	19.0	16	48	35	0.594
1"	51	33.9	34.3	19.9	21.5	9.93	7.95	12.5	22.5	19	57	44	1.067
1 1/4"	62	42.7	43.1	28.7	30.2	10.59	8.48	12.5	27.0	21	66	51	1.210
1 1/2"	70	48.8	49.2	33.2	34.7	11.07	8.89	12.5	32.0	21	71	54	2.134
2"	84	61.2	61.7	42.1	43.6	12.09	9.70	16.0	38.0	22	84	64	2.574

NOTE GENERALI: Dimensioni in millimetri.

Le dimensioni A - H possono essere variate a discrezione del produttore.

GENERAL NOTES: Dimensions are in millimeters.

Dimensions A- H for the appropriate fittings sizes may also be used at the manufacturer's discreptions

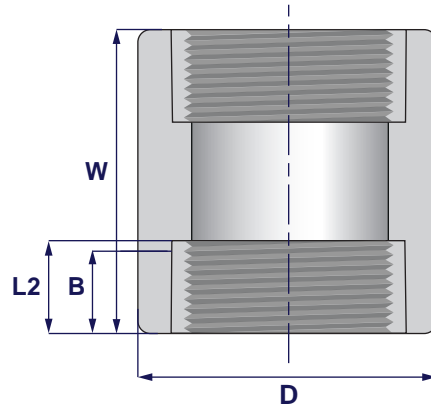
Note:

- Dimensioni in millimetri
- Dimensioni in accordo ANSI B 16.11
- I pesi sono indicativi

Remarks:

- Dimensions are in millimeters
- Dimensions in compliance with ANSI B 16.11
- Weights are approximate

**GOMITO M/F FILETTO PER TASCA
THREADED / SOCKET WELD M/F STREET ELBOW**



3000 lbs

SIZE	W	D	B min.	L2 min.	Peso Kg./Cad. Weight Kilos/Each
1/8"	32	16	6.4	6.7	0.060
1/4"	35	19	8.1	10.2	0.070
3/8"	38	22	9.1	10.4	0.080
1/2"	48	28	10.9	13.6	0.170
3/4"	51	35	12.7	13.9	0.230
1"	60	44	14.7	17.3	0.460
1 1/4"	67	57	17.0	18.0	0.800
1 1/2"	79	64	17.8	18.4	1.110
2"	86	76	19.0	19.2	1.500
2 1/2"	92	92	23.6	28.9	2.300
3"	108	108	25.9	30.5	3.500
4"	121	140	27.7	33.0	6.000

TOLLERANZE COMUNI A TUTTE LE SERIE
TOLLERANCES COMMON TO ALL CLASSES

SIZE	D	W
1/8"	-0 +4	-0 +3
1/4"	-0 +4	-0 +3
3/8"	-0 +4	-0 +3
1/2"	-0 +4	-0 +3
3/4"	-0 +4	-0 +3
1"	-0 +4	-0 +3
1 1/4"	-0 +4	-0 +3
1 1/2"	-0 +4	-0 +3
2"	-0 +4	-0 +3
2 1/2"	-0 +4	-0 +3
3"	-0 +4	-0 +3
4"	-0 +4	-0 +3

6000 lbs

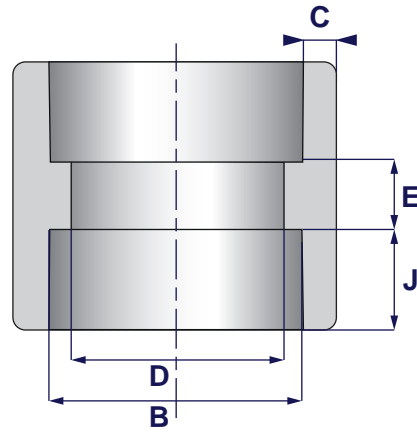
SIZE	W	D	B min.	L2 min.	Peso Kg./Cad. Weight Kilos/Each
1/8"	32	22	6.4	6.7	0.100
1/4"	35	25	8.1	10.2	0.120
3/8"	38	32	9.1	10.4	0.210
1/2"	48	38	10.9	13.6	0.350
3/4"	51	44	12.7	13.9	0.490
1"	60	57	14.7	17.3	1.080
1 1/4"	67	64	17.0	18.0	1.160
1 1/2"	79	76	17.8	18.4	1.960
2"	86	92	19.0	19.2	2.940
2 1/2"	92	108	23.6	28.9	4.200
3"	108	127	25.9	30.5	6.300
4"	121	159	27.7	33.0	10.400

Note:

- Dimensioni in millimetri
- Dimensioni in accordo ANSI B 16.11
- I pesi sono indicativi

Remarks:

- Dimensions are in millimeters
- Dimensions in compliance with ANSI B 16.11
- Weights are approximate



3000 lbs

SIZE	B		D		C	J	E	E	Peso Kg./Cad. Weight Kilos/Each
	Min.	Max.	Min.	Max.					
1/8"	10.8	11.2	6.1	7.6	3.18	9.5	6.5	1.5	0.055
1/4"	14.2	14.6	8.5	10.0	3.30	9.5	6.5	1.5	0.060
3/8"	17.6	18.0	11.8	13.3	3.50	9.5	6.5	3.0	0.085
1/2"	21.8	22.2	15.0	16.6	4.09	9.5	9.5	3.0	0.150
3/4"	27.2	27.6	20.2	21.7	4.27	12.5	9.5	3.0	0.210
1"	33.9	34.3	25.9	27.4	4.98	12.5	12.5	4.0	0.350
1 1/4"	42.7	43.1	34.3	35.8	5.28	12.5	12.5	4.0	0.475
1 1/2"	48.8	49.2	40.1	41.6	5.54	12.5	12.5	4.0	0.620
2"	61.2	61.7	51.7	53.3	6.04	16.0	19.0	4.0	1.050
2 1/2"	73.9	74.4	61.2	64.2	7.67	16.0	19.0	5.0	1.650
3"	89.8	90.3	76.4	79.4	8.30	16.0	19.0	5.0	2.200
4"	115.2	115.7	100.7	103.8	9.35	19.0	19.0	5.0	3.400

6000 lbs

SIZE	B		D		C	J	E	E	Peso Kg./Cad. Weight Kilos/Each
	Min.	Max.	Min.	Max.					
1/8"	10.8	11.2	3.2	4.8	3.43	9.5	6.5	1.5	0.060
1/4"	14.2	14.6	5.6	7.1	4.01	9.5	6.5	1.5	0.075
3/8"	17.6	18.0	8.4	9.9	4.37	9.5	6.5	3.0	0.110
1/2"	21.8	22.2	11.0	12.5	5.18	9.5	9.5	3.0	0.200
3/4"	27.2	27.6	14.8	16.3	6.04	12.5	9.5	3.0	0.310
1"	33.9	34.3	19.9	21.5	6.93	12.5	12.5	4.0	0.500
1 1/4"	42.7	43.1	28.7	30.2	6.93	12.5	12.5	4.0	0.660
1 1/2"	48.8	49.2	33.2	34.7	7.80	12.5	12.5	4.0	0.890
2"	61.2	61.7	42.1	43.6	9.50	16.0	19.0	4.0	1.700

9000 lbs

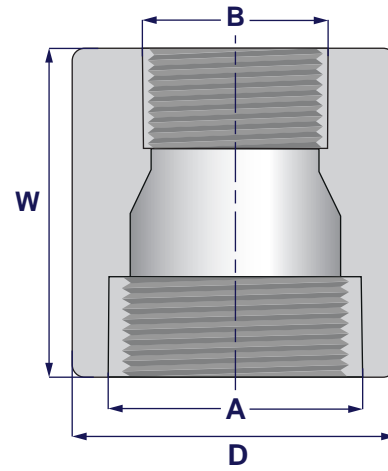
SIZE	B		D		C	J	E	E	Peso Kg./Cad. Weight Kilos/Each
	Min.	Max.	Min.	Max.					
1/2"	21.8	22.2	5.6	7.2	8.18	9.5	9.5	3.0	0.335
3/4"	27.2	27.6	10.3	11.8	8.56	12.5	9.5	3.0	0.440
1"	33.9	34.3	14.4	16.0	9.96	12.5	12.5	4.0	0.750
1 1/4"	42.7	43.1	22.0	23.5	10.62	12.5	12.5	4.0	1.040
1 1/2"	48.8	49.2	27.2	28.7	11.12	12.5	12.5	4.0	1.300
2"	61.2	61.7	37.4	38.9	12.12	16.00	19.0	4.0	2.200

Note:

- Dimensioni in millimetri
- Dimensioni in accordo ANSI B 16.11
- I pesi sono indicativi

Remarks:

- Dimensions are in millimeters
- Dimensions in compliance with ANSI B 16.11
- Weights are approximate



3000 lbs

SIZE		W	D	Peso Kg./Cad. Weight Kilos/Each
A	B			
1/4" x 1/8"		35	19	0.084
3/8" x 1/8"		38	22	0.096
1/2" x 1/4"		38	22	0.096
1/2" x 3/8"		48	28	0.204
3/4" x 3/8"		48	28	0.204
3/4" x 1/2"		51	35	0.276
1" x 1/2"		51	35	0.276
1" x 3/4"		60	44	0.552
1" x 3/4"		60	44	0.552
1 1/4" x 1/2"		67	57	0.960
1 1/4" x 3/4"		67	57	0.960
1 1/4" x 1"		67	57	0.960
1 1/2" x 1/2"		79	64	1.332
1 1/2" x 3/4"		79	64	1.332
1 1/2" x 1"		79	64	1.332
1 1/2" x 1 1/4"		79	64	1.332
2" x 1/2"		86	76	1.800
2" x 3/4"		86	76	1.800
2" x 1"		86	76	1.800
2" x 1 1/4"		86	76	1.800
2" x 1 1/2"		86	76	1.800
2 1/2" x 1/2"		92	92	2.760
2 1/2" x 3/4"		92	92	2.760
2 1/2" x 1"		92	92	2.760
2 1/2" x 1 1/4"		92	92	2.760
2 1/2" x 1 1/2"		92	92	2.760
2 1/2" x 2"		92	92	2.760
3" x 1/2"		108	108	4.200
3" x 3/4"		108	108	4.200
3" x 1"		108	108	4.200
3" x 1 1/4"		108	108	4.200
3" x 1 1/2"		108	108	4.200
3" x 2"		108	108	4.200
3" x 2 1/2"		108	108	4.200
4" x 1/2"		121	140	7.200
4" x 3/4"		121	140	7.200
4" x 1"		121	140	7.200
4" x 1 1/4"		121	140	7.200
4" x 1 1/2"		121	140	7.200
4" x 2"		121	140	7.200
4" x 2 1/2"		121	140	7.200
4" x 3"		121	140	7.200

6000 lbs

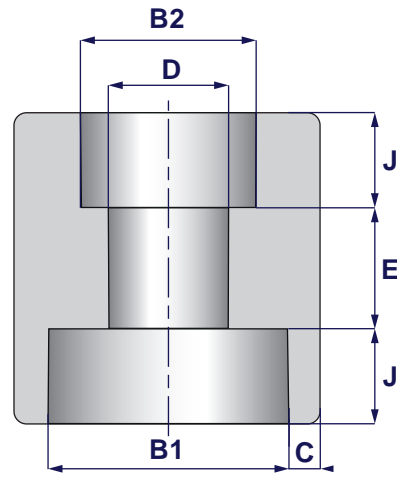
SIZE		W	D	Peso Kg./Cad. Weight Kilos/Each
A	B			
1/4" x 1/8"		35	25	0.144
3/8" x 1/8"		38	32	0.252
1/2" x 1/4"		38	32	0.252
1/2" x 1/4"		48	38	0.420
1/2" x 3/8"		48	38	0.420
3/4" x 3/8"		51	44	0.588
3/4" x 1/2"		51	44	0.588
1" x 1/2"		60	57	1.296
1" x 3/4"		60	57	1.296
1 1/4" x 1/2"		67	64	1.392
1 1/4" x 3/4"		67	64	1.392
1 1/4" x 1"		67	64	1.392
1 1/2" x 1/2"		79	76	2.352
1 1/2" x 3/4"		79	76	2.352
1 1/2" x 1"		79	76	2.352
1 1/2" x 1 1/4"		79	76	2.352
2" x 1/2"		86	92	3.528
2" x 3/4"		86	92	3.528
2" x 1"		86	92	3.528
2" x 1 1/4"		86	92	3.528
2" x 1 1/2"		86	92	3.528
2 1/2" x 1/2"		92	108	5.400
2 1/2" x 3/4"		92	108	5.400
2 1/2" x 1"		92	108	5.400
2 1/2" x 1 1/4"		92	108	5.400
2 1/2" x 1 1/2"		92	108	5.400
2 1/2" x 2"		92	108	5.400
3" x 1/2"		108	127	7.560
3" x 3/4"		108	127	7.560
3" x 1"		108	127	7.560
3" x 1 1/4"		108	127	7.560
3" x 1 1/2"		108	127	7.560
3" x 2"		108	127	7.560
3" x 2 1/2"		108	127	7.560
4" x 1/2"		121	159	12.480
4" x 3/4"		121	159	12.480
4" x 1"		121	159	12.480
4" x 1 1/4"		121	159	12.480
4" x 1 1/2"		121	159	12.480
4" x 2"		121	159	12.480
4" x 2 1/2"		121	159	12.480
4" x 3"		121	159	12.480

Note:

- Dimensioni in millimetri
- Dimensioni in accordo ANSI B 16.11
- I pesi sono indicativi

Remarks:

- Dimensions are in millimeters
- Dimensions in compliance with ANSI B 16.11
- Weights are approximate



3000 lbs

SIZE	B1		B2		D		C	J	E	E	Peso Kg./Cad. Weight Kilos/Each
	Min.	Max.	Min.	Max.	Min.	Max.					
¼" x ⅛"	14.2	14.6	10.8	11.2	6.1	7.6	3.30	9.5	6.5	1.5	0.072
⅜" x ¼"	17.6	18.0	10.8	11.2	6.1	7.6	3.50	9.5	6.5	1.5	0.102
	17.6	18.0	14.2	14.6	8.5	10.0	3.50	9.5	6.5	3.0	0.102
½" x ⅜"	21.8	22.2	14.2	14.6	8.5	10.0	4.09	9.5	9.5	3.0	0.180
	21.8	22.2	17.6	18.0	11.8	13.3	4.09	9.5	9.5	3.0	0.180
¾" x ½"	27.2	27.6	17.6	18.0	11.8	13.3	4.27	12.5	9.5	3.0	0.252
	27.2	27.6	21.8	22.2	15.0	16.6	4.27	12.5	9.5	3.0	0.252
1" x ¾"	33.9	34.3	21.8	22.2	15.0	16.6	4.98	12.5	12.5	4.0	0.420
	33.9	34.3	27.2	27.6	20.2	21.7	4.98	12.5	12.5	4.0	0.420
1 ¼" x 1"	42.7	43.1	21.8	22.2	15.0	16.6	5.28	12.5	12.5	4.0	0.570
	42.7	43.1	27.2	27.6	20.2	21.7	5.28	12.5	12.5	4.0	0.570
	42.7	43.1	33.9	34.3	25.9	27.4	5.28	12.5	12.5	4.0	0.570
1 ½" x 1 ¼"	48.8	49.2	21.8	22.2	15.0	16.6	5.54	12.5	12.5	4.0	0.744
	48.8	49.2	27.2	27.6	20.2	21.7	5.54	12.5	12.5	4.0	0.744
	48.8	49.2	33.9	34.3	25.9	27.4	5.54	12.5	12.5	4.0	0.744
	48.8	49.2	42.7	43.1	34.3	35.8	5.54	12.5	12.5	4.0	0.744
2" x 1 ½"	61.2	61.7	21.8	22.2	15.0	16.6	6.04	16.0	19.0	4.0	1.260
	61.2	61.7	27.2	27.6	20.2	21.7	6.04	16.0	19.0	4.0	1.260
	61.2	61.7	33.9	34.3	25.9	27.4	6.04	16.0	19.0	4.0	1.260
	61.2	61.7	42.7	43.1	34.3	35.8	6.04	16.0	19.0	4.0	1.260
	61.2	61.7	48.8	49.2	40.1	41.6	6.04	16.0	19.0	4.0	1.260
2 ½" x 2"	73.9	74.4	21.8	22.2	15.0	16.6	7.67	16.0	19.0	5.0	1.980
	73.9	74.4	27.2	27.6	20.2	21.7	7.67	16.0	19.0	5.0	1.980
	73.9	74.4	33.9	34.3	25.9	27.4	7.67	16.0	19.0	5.0	1.980
	73.9	74.4	42.7	43.1	34.3	35.8	7.67	16.0	19.0	5.0	1.980
	73.9	74.4	48.8	49.2	40.1	41.6	7.67	16.0	19.0	5.0	1.980
	73.9	74.4	61.2	61.7	51.7	53.3	7.67	16.0	19.0	5.0	1.980
3" x 2 ½"	89.8	90.3	21.8	22.2	15.0	16.6	8.30	16.0	19.0	5.0	2.640
	89.8	90.3	27.2	27.6	20.2	21.7	8.30	16.0	19.0	5.0	2.640
	89.8	90.3	33.9	34.3	25.9	27.4	8.30	16.0	19.0	5.0	2.640
	89.8	90.3	42.7	43.1	34.3	35.8	8.30	16.0	19.0	5.0	2.640
	89.8	90.3	48.8	49.2	40.1	41.6	8.30	16.0	19.0	5.0	2.640
	89.8	90.3	61.2	61.7	51.7	53.3	8.30	16.0	19.0	5.0	2.640
	89.8	90.3	73.9	74.4	61.2	64.2	8.30	16.0	19.0	5.0	2.640
4" x 3"	115.2	115.7	21.8	22.2	15.0	16.6	9.35	19.0	19.0	5.0	4.148
	115.2	115.7	27.2	27.6	20.2	21.7	9.35	19.0	19.0	5.0	4.148
	115.2	115.7	33.9	34.3	25.9	27.4	9.35	19.0	19.0	5.0	4.148
	115.2	115.7	42.7	43.1	34.3	35.8	9.35	19.0	19.0	5.0	4.148
	115.2	115.7	48.8	49.2	40.1	41.6	9.35	19.0	19.0	5.0	4.148
	115.2	115.7	61.2	61.7	51.7	53.3	9.35	19.0	19.0	5.0	4.148
	115.2	115.7	73.9	74.4	61.2	64.2	9.35	19.0	19.0	5.0	4.148
	115.2	115.7	89.8	90.3	76.4	79.4	9.35	19.0	19.0	5.0	4.148

Note:

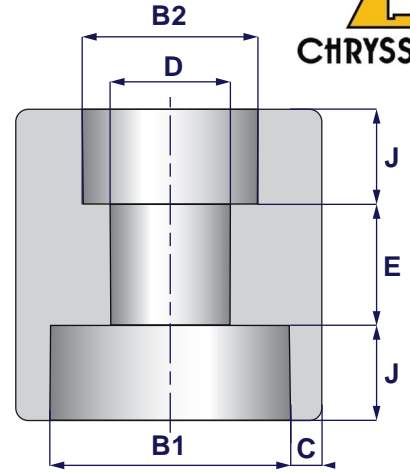
- Dimensioni in millimetri
- Dimensioni in accordo ANSI B 16.11
- I pesi sono indicativi

Remarks:

- Dimensions are in millimeters
- Dimensions in compliance with ANSI B 16.11
- Weights are approximate



CHRYSAFIDIS



6000 lbs

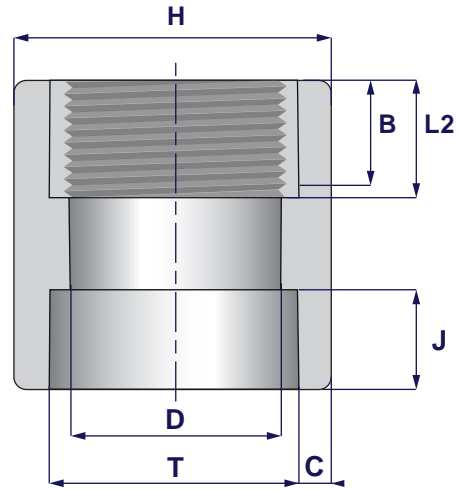
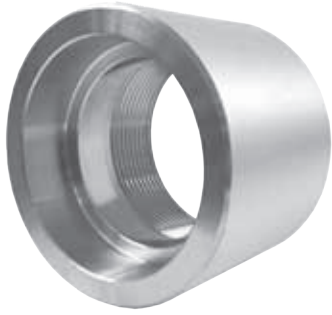
SIZE	B1		B2		D		C	J	E	E	Peso Kg./Cad. Weight Kilos/Each
	Min.	Max.	Min.	Max.	Min.	Max.					
1/4" x 1/8"	14.2	14.6	10.8	11.2	3.2	4.8	4.01	9.5	6.5	1.5	0.090
3/8" x 1/8"	17.6	18.0	10.8	11.2	3.2	4.8	4.37	9.5	6.5	3.0	0.132
3/8" x 1/4"	17.6	18.0	14.2	14.6	5.6	7.1	4.37	9.5	6.5	3.0	0.132
1/2" x 1/4"	21.8	22.2	14.2	14.6	5.6	7.1	5.18	9.5	9.5	3.0	0.240
1/2" x 3/8"	21.8	22.2	17.6	18.0	8.4	9.9	5.18	9.5	9.5	3.0	0.240
3/4" x 3/8"	27.2	27.6	17.6	18.0	8.4	9.9	6.04	12.5	9.5	3.0	0.372
3/4" x 1/2"	27.2	27.6	21.8	22.2	11.0	12.5	6.04	12.5	9.5	3.0	0.372
1" x 1/2"	33.9	34.3	21.8	22.2	11.0	12.5	6.93	12.5	12.5	4.0	0.600
1" x 3/4"	33.9	34.3	27.2	27.6	14.8	16.3	6.93	12.5	12.5	4.0	0.600
1 1/4" x 1/2"	42.7	43.1	21.8	22.2	11.0	12.5	6.93	12.5	12.5	4.0	0.792
1 1/4" x 3/4"	42.7	43.1	27.2	27.6	14.8	16.3	6.93	12.5	12.5	4.0	0.792
1 1/4" x 1"	42.7	43.1	33.9	34.3	19.9	21.5	6.93	12.5	12.5	4.0	0.792
1 1/2" x 1/2"	48.8	49.2	21.8	22.2	11.0	12.5	7.80	12.5	12.5	4.0	1.068
1 1/2" x 3/4"	48.8	49.2	27.2	27.6	14.8	16.3	7.80	12.5	12.5	4.0	1.068
1 1/2" x 1"	48.8	49.2	33.9	34.3	19.9	21.5	7.80	12.5	12.5	4.0	1.068
1 1/2" x 1 1/4"	48.8	49.2	42.7	43.1	28.7	30.2	7.80	12.5	12.5	4.0	1.068
2" x 1/2"	61.2	61.7	21.8	22.2	11.0	12.5	9.50	16.0	19.0	4.0	2.040
2" x 3/4"	61.2	61.7	27.2	27.6	14.8	16.3	9.50	16.0	19.0	4.0	2.040
2" x 1"	61.2	61.7	33.9	34.3	19.9	21.5	9.50	16.0	19.0	4.0	2.040
2" x 1 1/4"	61.2	61.7	42.7	43.1	28.7	30.2	9.50	16.0	19.0	4.0	2.040
2" x 1 1/2"	61.2	61.7	48.8	49.2	33.2	34.7	9.50	16.0	19.0	4.0	2.040

Note:

- Dimensioni in millimetri
- Dimensioni in accordo ANSI B 16.11
- I pesi sono indicativi

Remarks:

- Dimensions are in millimeters
- Dimensions in compliance with ANSI B 16.11
- Weights are approximate



3000 lbs

QUOTE COMUNI A TUTTE LE SERIE
DIMENSIONS COMMON TO ALL CLASSES

SIZE	T		D		C	H	J	Peso Kg./Cad. Weight Kilos/Each
	Min.	Max.	Min.	Max.				
¼"	14.2	14.6	8.5	10.0	3.30	22	9.5	0.040
⅜"	17.6	18.0	11.8	13.3	3.50	28	9.5	0.066
½"	21.8	22.2	15.0	16.6	4.09	32	9.5	0.106
¾"	27.2	27.6	20.2	21.7	4.27	38	12.5	0.157
1"	33.9	34.3	25.9	27.4	4.98	45	12.5	0.260
1 ¼"	42.7	43.1	34.3	35.8	5.28	60	12.5	0.460
1 ½"	48.8	49.2	40.1	41.6	5.54	65	12.5	0.580
2"	61.2	61.7	51.7	53.3	6.04	76	16.0	0.750
2 ½"	73.9	74.4	61.2	64.2	7.67	95	16.0	1.044
3"	89.8	90.3	76.4	79.4	8.30	108	16.0	1.750
4"	115.2	115.7	100.7	103.8	9.35	140	19.0	3.125

SIZE	B	L2
¼"	8.1	10.2
⅜"	9.1	10.4
½"	10.9	13.6
¾"	12.7	13.9
1"	14.7	17.3
1 ¼"	17.0	18.0
1 ½"	17.8	18.4
2"	19.0	19.2
2 ½"	23.6	28.9
3"	25.9	30.5
4"	27.7	33.0

6000 lbs

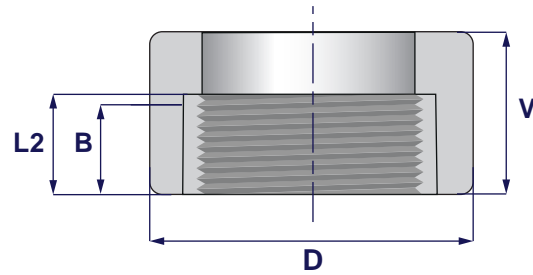
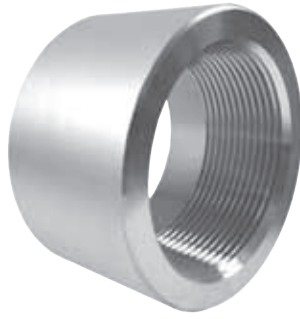
SIZE	T		D		C	H	J	Peso Kg./Cad. Weight Kilos/Each
	Min.	Max.	Min.	Max.				
¼"	14.2	14.6	5.6	7.1	4.01	25.0	9.5	0.050
⅜"	17.6	18.0	8.4	9.9	4.37	32.0	9.5	0.090
½"	21.8	22.2	11.0	12.5	5.18	38.5	9.5	0.155
¾"	27.2	27.6	14.8	16.3	6.04	45.0	12.5	0.235
1"	33.9	34.3	19.9	21.5	6.93	60.0	12.5	0.480
1 ¼"	42.7	43.1	28.7	30.2	6.93	65.0	12.5	0.600
1 ½"	48.8	49.2	33.2	34.7	7.80	76.0	12.5	0.900
2"	61.2	61.7	42.1	43.6	9.50	95.0	16.0	1.500
2 ½"	73.9	74.4	52.0	56.0	12.00	110.0	16.0	2.300
3"	89.8	90.3	64.0	68.0	12.20	140.0	16.0	3.900

Note:

- Dimensioni in millimetri
- Dimensione in accordo allo standard OMSA
- I pesi sono indicativi

Remarks:

- Dimensions are in millimeters
- Dimensions in compliance with OMSA's standard
- Weights are approximate



3000 lbs

TOLLERANZE COMUNI A TUTTE LE SERIE
TOLLERANCES COMMON TO ALL CLASSES

SIZE	V	D	B Min.	L2 Min.	Peso Kg./Cad. Weight Kilos/Each
1/8"	16	16	6.4	6.7	0.030
1/4"	17.5	19	8.1	10.2	0.035
3/8"	19	22	9.1	10.4	0.040
1/2"	24	28	10.9	13.6	0.085
3/4"	25.5	35	12.7	13.9	0.115
1"	30	44	14.7	17.3	0.230
1 1/4"	33.5	57	17.0	18.0	0.400
1 1/2"	39.5	64	17.8	18.4	0.555
2"	43	76	19.0	19.2	0.750
2 1/2"	46	92	23.6	28.9	1.150
3"	54	108	25.9	30.5	1.750
4"	60.5	140	27.7	33.0	3.000

SIZE	D	V
1/8"	-0 +4	-0 +3
1/4"	-0 +4	-0 +3
3/8"	-0 +4	-0 +3
1/2"	-0 +4	-0 +3
3/4"	-0 +4	-0 +3
1"	-0 +4	-0 +3
1 1/4"	-0 +4	-0 +3
1 1/2"	-0 +4	-0 +3
2"	-0 +4	-0 +3
2 1/2"	-0 +4	-0 +3
3"	-0 +4	-0 +3
4"	-0 +4	-0 +3

6000 lbs

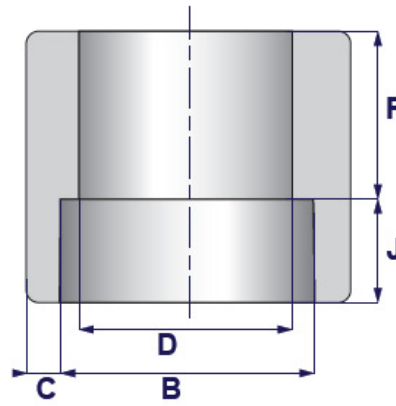
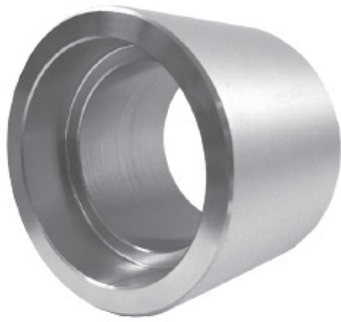
SIZE	V	D	B Min.	L2 Min.	Peso Kg./Cad. Weight Kilos/Each
1/8"	16	22	6.4	6.7	0.050
1/4"	17.5	25	8.1	10.2	0.060
3/8"	19	32	9.1	10.4	0.105
1/2"	24	38	10.9	13.6	0.175
3/4"	25.5	44	12.7	13.9	0.245
1"	30	57	14.7	17.3	0.540
1 1/4"	33.5	64	17.0	18.0	0.580
1 1/2"	39.5	76	17.8	18.4	0.980
2"	43	92	19.0	19.2	1.470
2 1/2"	46	108	23.6	28.9	2.100
3"	54	127	25.9	30.5	3.150
4"	60.5	159	27.7	33.0	5.200

Note:

- Dimensioni in millimetri
- Dimensioni in accordo ANSI B 16.11
- I pesi sono indicativi

Remarks:

- Dimensions are in millimeters
- Dimensions in compliance with ANSI B 16.11
- Weights are approximate



3000 lbs

SIZE	B		D		C	J	F	F	Peso Kg./Cad. Weight Kilos/Each
	Min.	Max.	Min.	Max.					
1/8"	10.8	11.2	6.1	7.6	3.18	9.5	16.0	1.0	0.060
1/4"	14.2	14.6	8.5	10.0	3.30	9.5	16.0	1.0	0.070
3/8"	17.6	18.0	11.8	13.3	3.50	9.5	17.5	1.5	0.100
1/2"	21.8	22.2	15.0	16.6	4.09	9.5	22.5	1.5	0.170
3/4"	27.2	27.6	20.2	21.7	4.27	12.5	24.0	1.5	0.240
1"	33.9	34.3	25.9	27.4	4.98	12.5	28.5	2.0	0.400
1 1/4"	42.7	43.1	34.3	35.8	5.28	12.5	30.0	2.0	0.545
1 1/2"	48.8	49.2	40.1	41.6	5.54	12.5	32.0	2.0	0.710
2"	61.2	61.7	51.7	53.3	6.04	16.0	41.0	2.0	1.200
2 1/2"	73.9	74.4	61.2	64.2	7.67	16.0	43.0	2.5	1.900
3"	89.8	90.3	76.4	79.4	8.30	16.0	44.5	2.5	2.550
4"	115.2	115.7	100.7	103.8	9.35	19.0	48.0	2.5	3.950

6000 lbs

SIZE	B		D		C	J	F	F	Peso Kg./Cad. Weight Kilos/Each
	Min.	Max.	Min.	Max.					
1/8"	10.8	11.2	3.2	4.8	3.43	9.5	16.0	1.0	0.070
1/4"	14.2	14.6	5.6	7.1	4.01	9.5	16.0	1.0	0.090
3/8"	17.6	18.0	8.4	9.9	4.37	9.5	17.5	1.5	0.130
1/2"	21.8	22.2	11.0	12.5	5.18	9.5	22.5	1.5	0.230
3/4"	27.2	27.6	14.8	16.3	6.04	12.5	24.0	1.5	0.360
1"	33.9	34.3	19.9	21.5	6.93	12.5	28.5	2.0	0.580
1 1/4"	42.7	43.1	28.7	30.2	6.93	12.5	30.0	2.0	0.770
1 1/2"	48.8	49.2	33.2	34.7	7.80	12.5	32.0	2.0	1.050
2"	61.2	61.7	42.1	43.6	9.50	16.0	41.0	2.0	2.000

9000 lbs

SIZE	B		D		C	J	F	F	Peso Kg./Cad. Weight Kilos/Each
	Min.	Max.	Min.	Max.					
1/2"	21.8	22.2	5.6	7.2	8.18	9.5	22.5	1.5	0.375
3/4"	27.2	27.6	10.3	11.8	8.56	12.5	24.0	1.5	0.500
1"	33.9	34.3	14.4	16.0	9.96	12.5	28.5	2.0	0.850
1 1/4"	42.7	43.1	22.0	23.5	10.62	12.5	30.0	2.0	1.190
1 1/2"	48.8	49.2	27.2	28.7	11.12	12.5	32.0	2.0	1.500
2"	61.2	61.7	37.4	38.9	12.12	16.0	41.0	2.0	2.540

Note:

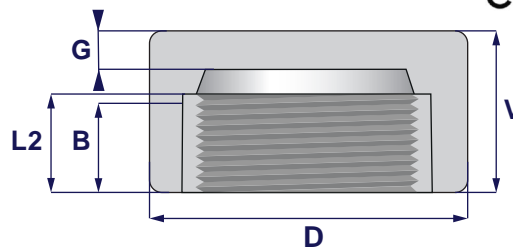
- Dimensioni in millimetri
- Dimensioni in accordo ANSI B 16.11
- I pesi sono indicativi

Remarks:

- Dimensions are in millimeters
- Dimensions in compliance with ANSI B 16.11
- Weights are approximate



CHRYSsafidis



3000 lbs

SIZE	V	D	B Min.	L2 Min.	G	Peso Kg./Cad. Weight Kilos/Each
1/8"	19	16	6.4	6.7	4.8	0.030
1/4"	25	19	8.1	10.2	4.8	0.045
3/8"	25	22	9.1	10.4	4.8	0.060
1/2"	32	28	10.9	13.6	6.4	0.130
3/4"	37	35	12.7	13.9	6.4	0.200
1"	41	44	14.7	17.3	9.7	0.350
1 1/4"	44	57	17.0	18.0	9.7	0.640
1 1/2"	44	64	17.8	18.4	11.2	0.770
2"	48	76	19.0	19.2	12.7	1.128
2 1/2"	60	92	23.6	28.9	15.7	2.000
3"	65	108	25.9	30.5	19.0	3.000
4"	68	140	27.7	33.0	22.4	5.500

6000 lbs

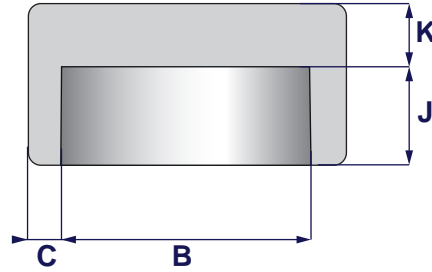
SIZE	V	D	B Min.	L2 Min.	G	Peso Kg./Cad. Weight Kilos/Each
1/8"	-	22	6.4	6.7	4.8	-
1/4"	27	25	8.1	10.2	6.4	0.100
3/8"	27	32	9.1	10.4	6.4	0.160
1/2"	33	38	10.9	13.6	7.9	0.265
3/4"	38	44	12.7	13.9	7.9	0.410
1"	43	57	14.7	17.3	11.2	0.740
1 1/4"	46	64	17.0	18.0	11.2	0.920
1 1/2"	48	76	17.8	18.4	12.7	1.380
2"	51	92	19.0	19.2	15.7	2.100
2 1/2"	64	108	23.6	28.9	19.0	3.500
3"	68	127	25.9	30.5	22.4	5.000
4"	75	159	27.7	33.0	28.4	8.600

Note:

- Dimensioni in millimetri
- Dimensione in accordo ANSI B 16.11
- I pesi sono indicativi

Remarks:

- Dimensions are in millimeters
- Dimension in compliance with ANSI B 16.11
- Weights are approximate



3000 lbs

SIZE	B		C	J	K	Peso Kg./Cad. Weight Kilos/Each
	Min.	Max.				
1/8"	10.8	11.2	3.18	9.5	4.8	0.035
1/4"	14.2	14.6	3.30	9.5	4.8	0.050
3/8"	17.6	18.0	3.50	9.5	4.8	0.070
1/2"	21.8	22.2	4.09	9.5	6.4	0.110
3/4"	27.2	27.6	4.27	12.5	6.4	0.175
1"	33.9	34.3	4.98	12.5	9.6	0.260
1 1/4"	42.7	43.1	5.28	12.5	9.6	0.435
1 1/2"	48.8	49.2	5.54	12.5	11.2	0.580
2"	61.2	61.7	6.04	16.0	12.7	1.000
2 1/2"	73.9	74.4	7.67	16.0	15.7	1.700
3"	89.8	90.3	8.30	16.0	19.0	2.600
4"	115.2	115.7	9.35	19.0	22.4	4.200

6000 lbs

SIZE	B		C	J	K	Peso Kg./Cad. Weight Kilos/Each
	Min.	Max.				
1/8"	10.8	11.2	3.43	9.5	6.4	0.070
1/4"	14.2	14.6	4.01	9.5	6.4	0.090
3/8"	17.6	18.0	4.37	9.5	6.4	0.130
1/2"	21.8	22.2	5.18	9.5	7.9	0.155
3/4"	27.2	27.6	6.04	12.5	7.9	0.260
1"	33.9	34.3	6.93	12.5	11.2	0.400
1 1/4"	42.7	43.1	6.93	12.5	11.2	0.630
1 1/2"	48.8	49.2	7.80	12.5	12.7	0.860
2"	61.2	61.7	9.50	16.0	15.7	1.600

9000 lbs

SIZE	B		C	J	K	Peso Kg./Cad. Weight Kilos/Each
	Min.	Max.				
1/2"	21.8	22.2	8.18	9.5	11.2	0.375
3/4"	27.2	27.6	8.56	12.5	12.7	0.500
1"	33.9	34.3	9.96	12.5	14.2	0.850
1 1/4"	42.7	43.1	10.62	12.5	14.2	1.190
1 1/2"	48.8	49.2	11.12	12.5	15.7	1.500
2"	61.2	61.7	12.12	16.0	19.0	2.540

Note:

- Dimensioni in millimetri
- Dimensioni in accordo ANSI B 16.11
- I pesi sono indicativi

Remarks:

- Dimensions are in millimeters
- Dimensions in compliance with ANSI B 16.11
- Weights are approximate



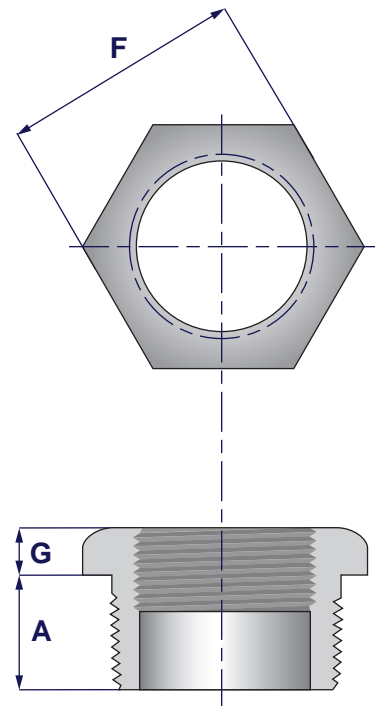
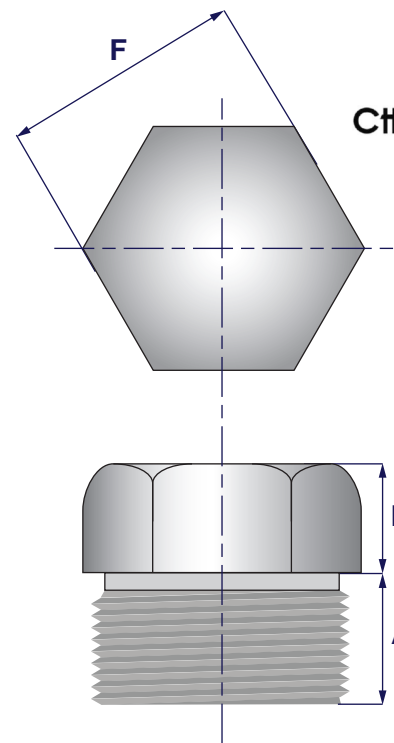
SIZE	A Min.	H Min.	F	Peso Kg./Cad. Weight Kilos/Each
1/4"	11	6	16.00	0.025
3/8"	13	8	19.00	0.045
1/2"	14	8	22.00	0.070
3/4"	16	10	27.00	0.125
1"	19	10	35.00	0.220
1 1/4"	21	14	46.00	0.410
1 1/2"	21	16	51.00	0.570
2"	22	18	63.50	0.900
2 1/2"	27	19	76.00	1.600
3"	28	21	90.00	2.500
4"	32	25	118.00	5.000



SIZE	A Min.	G	F	Peso Kg./Cad. Weight Kilos/Each
1/4"	11	3	16.00	0.020
3/8"	13	4	19.00	0.025
1/2"	14	5	22.00	0.040
3/4"	16	6	27.00	0.070
1"	19	6	35.00	0.115
1 1/4"	21	7	46.00	0.230
1 1/2"	21	8	51.00	0.250
2"	22	9	63.50	0.500
2 1/2"	27	10	76.00	0.750
3"	28	10	90.00	1.150
4"	32	13	118.00	2.500

Note:

- Dimensioni in millimetri
- Dimensioni in accordo ANSI B 16.11
- I pesi sono indicativi

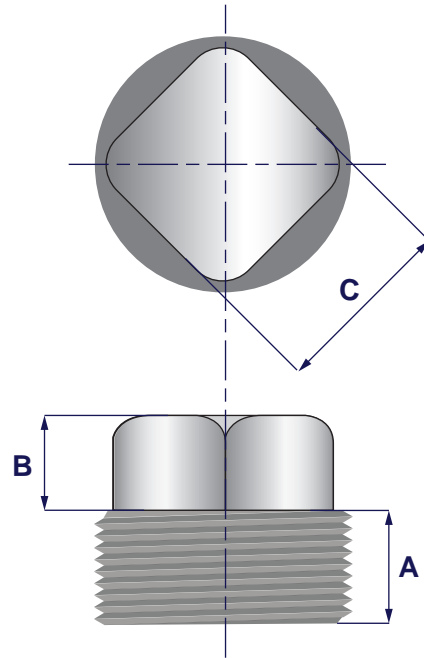


Remarks:

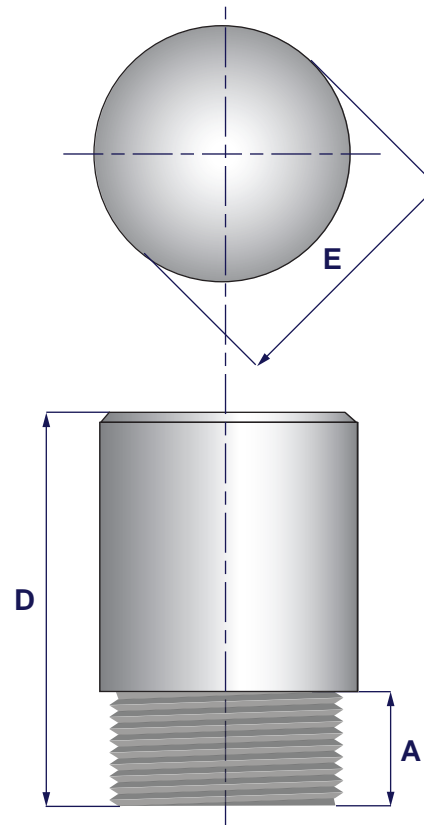
- Dimensions are in millimeters
- Dimensions in compliance with ANSI B 16.11
- Weights are approximate



SIZE	A Min.	B Min.	C Min.	Peso Kg./Cad. Weight Kilos/Each
1/8"	10	6	7.15	0.015
1/4"	11	6	9.55	0.020
3/8"	13	8	11.11	0.035
1/2"	14	10	14.29	0.055
3/4"	16	11	15.88	0.090
1"	19	13	20.64	0.170
1 1/4"	21	14	23.81	0.290
1 1/2"	21	16	28.58	0.390
2"	22	18	33.34	0.600
2 1/2"	27	19	38.10	1.100
3"	28	21	42.86	1.700
4"	32	25	63.50	3.500



SIZE	A Min.	D Min.	E	Peso Kg./Cad. Weight Kilos/Each
1/8"	10	35	10	0.025
1/4"	11	41	14	0.050
3/8"	13	41	18	0.075
1/2"	14	44	22	0.125
3/4"	16	44	28	0.200
1"	19	51	35	0.350
1 1/4"	21	51	45	0.555
1 1/2"	21	51	50	0.725
2"	22	64	60	1.420
2 1/2"	27	70	75	2.250
3"	28	70	89	3.400
4"	32	76	115	6.100

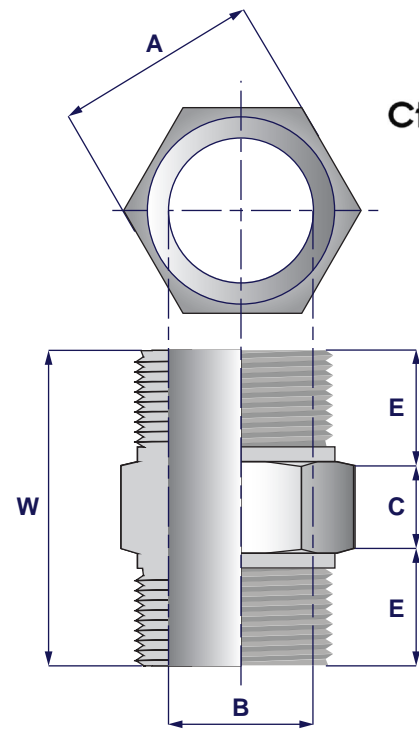


Note:

- Dimensioni in millimetri
- Dimensioni in accordo ANSI B 16.11
- I pesi sono indicativi

Remarks:

- Dimensions are in millimeters
- Dimensions in compliance with ANSI B 16.11
- Weights are approximate



3000 lbs

SIZE	B	A	W	C	E	Peso Kg./Cad. Weight Kilos/Each
		Min.	Min.	Min.		
1/4"	8	16	36	6	15	0.030
3/8"	11	19	40	8	16	0.045
1/2"	14	22	48	8	20	0.070
3/4"	19	27	52	10	21	0.105
1"	24	35	60	10	25	0.180
1 1/4"	32	46	66	14	26	0.290
1 1/2"	38	50	68	16	26	0.355
2"	49	62	71	17	27	0.530
2 1/2"	59	76	99	19	40	1.050
3"	73.5	90	104	20	42	1.650
4"	97	118	114	22	46	2.550

6000 lbs

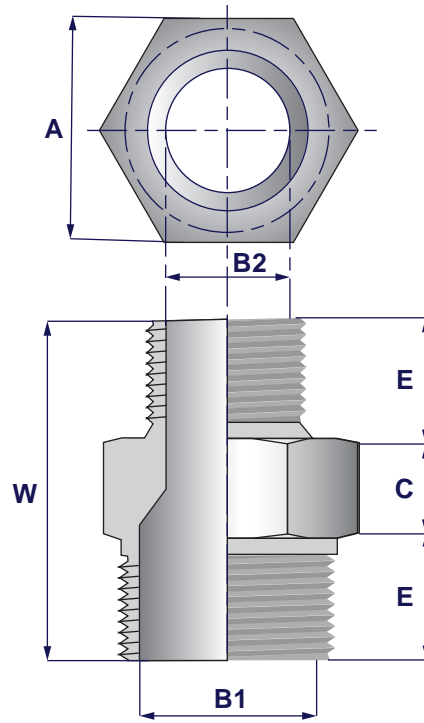
SIZE	B	A	W	C	E	Peso Kg./Cad. Weight Kilos/Each
		Min.	Min.	Min.	Min.	
1/4"	6	16	36	6	15	0.035
3/8"	8	19	40	8	16	0.055
1/2"	11	22	48	8	20	0.100
3/4"	13	27	52	10	21	0.160
1"	17	35	60	10	25	0.280
1 1/4"	22	46	66	14	26	0.450
1 1/2"	30	50	68	16	26	0.560
2"	39	62	71	17	27	0.870
2 1/2"	45	76	99	19	40	1.630
3"	58.5	90	104	20	42	2.600
4"	80	118	114	22	46	4.200

Note:

- Dimensioni in millimetri
- Dimensioni in accordo BS 3799
- I pesi sono indicativi

Remarks:

- Dimensions are in millimeters
- Dimensions in compliance with BS 3799
- Weights are approximate



SIZE		3000 lbs		6000 lbs		A	W	C	E	3000 lbs	6000 lbs
A	B	B1	B2	B1	B2	Min.	Min.	Min.	Min.	Peso Kg./Cad.	Peso Kg./Cad.
		Weight Kilos/Each		Weight Kilos/Each						Weight Kilos/Each	
3/8"	1/4"	11	8	8	6	19	40	8	16	0.045	0.050
1/2"	1/4"	14	8	11	6	22	48	8	20	0.060	0.075
	3/8"	14	11	11	8	22	48	8	20	0.060	0.080
3/4"	3/8"	19	11	13	8	27	52	10	21	0.090	0.125
	1/2"	19	14	13	11	27	52	10	21	0.100	0.145
1"	1/2"	24	14	17	11	35	60	10	25	0.160	0.230
	3/4"	24	19	17	13	35	60	10	25	0.165	0.250
1 1/4"	1/2"	32	14	22	11	46	66	14	26	0.265	0.370
	3/4"	32	19	22	13	46	66	14	26	0.270	0.385
	1"	32	24	22	17	46	66	14	26	0.285	0.420
1 1/2"	1/2"	38	14	30	11	50	68	16	26	0.335	0.545
	3/4"	38	19	30	13	50	68	16	26	0.340	0.540
	1"	38	24	30	17	50	68	16	26	0.350	0.480
	1 1/4"	38	32	30	22	50	68	16	26	0.350	0.460
2"	1/2"	49	14	39	11	62	71	17	27	0.510	0.700
	3/4"	49	19	39	13	62	71	17	27	0.515	0.720
	1"	49	24	39	17	62	71	17	27	0.525	0.760
	1 1/4"	49	32	39	22	62	71	17	27	0.525	0.800
	1 1/2"	49	38	39	30	62	71	17	27	0.525	0.810
2 1/2"	1"	59	24	45	17	76	99	19	40	0.950	1.400
	1 1/4"	59	32	45	22	76	99	19	40	0.950	1.350
	1 1/2"	59	38	45	30	76	99	19	40	0.950	1.350
	2"	59	49	45	39	76	99	19	40	0.950	1.400
3"	1"	73.5	24	58.5	17	90	104	20	42	1.500	2.150
	1 1/4"	73.5	32	58.5	22	90	104	20	42	1.500	2.150
	1 1/2"	73.5	38	58.5	30	90	104	20	42	1.500	2.150
	2"	73.5	49	58.5	39	90	104	20	42	1.500	2.200
	2 1/2"	73.5	59	58.5	45	90	104	20	42	1.500	2.400
4"	1"	97	24	80	17	118	114	22	46	2.400	3.900
	1 1/4"	97	32	80	22	118	114	22	46	2.400	3.900
	1 1/2"	97	38	80	30	118	114	22	46	2.400	3.900
	2"	97	49	80	39	118	114	22	46	2.400	3.900
	2 1/2"	97	59	80	45	118	114	22	46	2.400	3.900
	3"	97	73.5	80	58.5	118	114	22	46	2.400	3.900

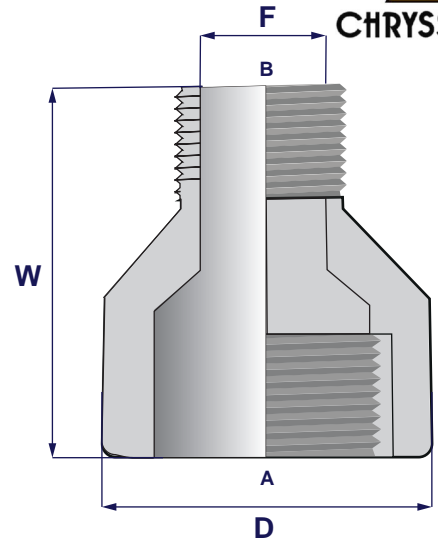
Note:

- Dimensioni in millimetri
- Dimensioni in accordo BS 3799
- I pesi sono indicativi

Remarks:

- Dimensions are in millimeters
- Dimensions in compliance with BS 3799
- Weights are approximate

Dimensions purely indicative, Omsa reserves the right to modify them



3000 lbs

SIZE		W	D	F	Peso Kg./Cad. Weight Kilos/Each
A	B				
3/8" x 1/4"		38	22	6	0.125
1/2" x 1/4"		48	28	6	0.265
	3/8"	48	28	9	0.265
3/4" x 3/8"		51	35	9	0.358
	1/2"	51	35	12	0.358
1" x 1/2"		60	44	12	0.720
	3/4"	60	44	16	0.720
1 1/4" x 1/2"		67	57	12	1.250
	3/4"	67	57	16	1.250
	1"	67	57	21	1.250
1 1/2" x 1/2"		79	64	12	1.731
	3/4"	79	64	16	1.731
	1"	79	64	21	1.731
	1 1/4"	79	64	29.5	1.731
2" x 1/2"		86	76	12	2.340
	3/4"	86	76	16	2.340
	1"	86	76	21	2.340
	1 1/4"	86	76	29.5	2.340
	1 1/2"	86	76	34	2.340
2 1/2" x 1/2"		92	92	12	3.590
	3/4"	92	92	16	3.590
	1"	92	92	21	3.590
	1 1/4"	92	92	29.5	3.590
	1 1/2"	92	92	34	3.590
	2"	92	92	42	3.590
3" x 1/2"		108	108	12	5.460
	3/4"	108	108	16	5.460
	1"	108	108	21	5.460
	1 1/4"	108	108	29.5	5.460
	1 1/2"	108	108	34	5.460
	2"	108	108	42	5.460
4" x 1/2"		121	140	12	9.360
	3/4"	121	140	16	9.360
	1"	121	140	21	9.360
	1 1/4"	121	140	29.5	9.360
	1 1/2"	121	140	34	9.360
	2"	121	140	42	9.360
	2 1/2"	121	140	54	9.360
3"	121	140	66	9.360	

6000 lbs

SIZE		W	D	F	Peso Kg./Cad. Weight Kilos/Each
A	B				
1/2" x 1/4"		48	38	4	0.265
	3/8"	48	38	4.3	0.265
3/4" x 3/8"		51	44	4.3	0.359
	1/2"	51	44	6.3	0.359
1" x 1/2"		60	57	6.3	0.717
	3/4"	60	57	11	0.717
1 1/4" x 1/2"		67	64	6.3	0.960
	3/4"	67	64	11	0.960
	1"	67	64	15.5	0.960
1 1/2" x 1/2"		79	76	6.3	1.332
	3/4"	79	76	11	1.332
	1"	79	76	15.5	1.332
	1 1/4"	79	76	22	1.332
2" x 1/2"		86	92	6.3	1.800
	3/4"	86	92	11	1.800
	1"	86	92	15.5	1.800
	1 1/4"	86	92	22	1.800
	1 1/2"	86	92	27	1.800
2 1/2" x 1/2"		92	108	6.3	2.760
	3/4"	92	108	11	2.760
	1"	92	108	15.5	2.760

Note:

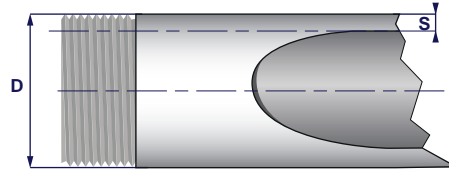
- Dimensioni in millimetri
- Dimensioni in accordo allo standard OMSA
- I pesi sono indicativi

Remarks:

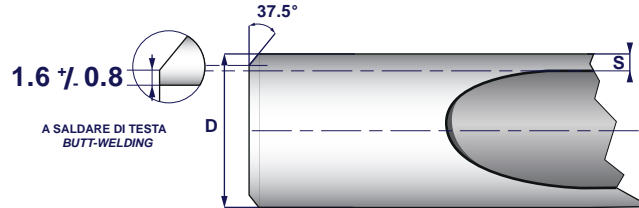
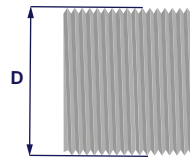
- Dimensions are in millimeters
- Dimensions in compliance with OMSA's standard
- Weights are approximate



FILETTATO
THREADED

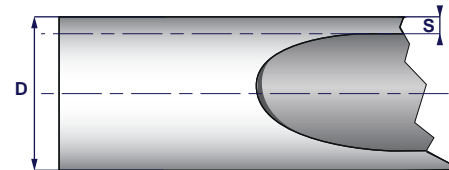


CLOSE



A SILDARE DI TESTA
BUTT-WELDING

PIANA PER TASCA
PLANE FOR SOCKET-WELD



SIZE	D	D Tolleranze Tolerances	Pipe Nipple lengths close		S Schedule STD - 40 - 40 S		S Schedule XS - 80 - 80 S		S Schedule 160		S Schedule XXS		TOLLERANZE COMUNI A TUTTE LE SCHEDULE TOLERANCES COMMON TO ALL SCHEDULE
			inches	mm	mm	Kg/m	mm	Kg/m	mm	Kg/m	mm	Kg/m	
1/4"	13.7	± 0.4	7/8"	22.0	2.24	0.63	3.02	0.80	3.68 *	-	6.05 *	-	Tolleranze sullo spessore Permitted variations in wall thickness +/- 12.5 %
3/8"	17.1	± 0.4	1"	25.4	2.31	0.84	3.20	1.10	4.01 *	-	6.40 *	-	
1/2"	21.3	± 0.4	1 1/8"	28.5	2.77	1.27	3.73	1.62	4.78	1.95	7.47	2.55	
3/4"	26.7	± 0.4	1 3/8"	35.0	2.87	1.69	3.91	2.20	5.56	2.90	7.82	3.64	
1"	33.4	± 0.4	1 1/2"	38.0	3.38	2.50	4.55	3.24	6.35	4.24	9.09	5.45	
1 1/4"	42.2	± 0.4	1 5/8"	41.0	3.56	3.39	4.85	4.47	6.35	5.61	9.70	7.77	
1 1/2"	48.3	± 0.4	1 3/4"	44.5	3.68	4.05	5.08	5.41	7.14	7.25	10.15	9.56	
2"	60.3	± 0.8	2"	51.0	3.91	5.44	5.54	7.48	8.74	11.11	11.07	13.44	
2 1/2"	73.0	± 0.8	2 1/2"	63.5	5.16	8.63	7.01	11.41	9.52	14.92	14.02	20.39	
3"	88.9	± 0.8	2 5/8"	66.5	5.49	11.29	7.62	15.27	11.13	21.35	15.24	27.68	
4"	114.3	± 0.8	2 7/8"	73.0	6.02	16.07	8.56	22.32	13.49	33.54	17.12	41.03	

SIZE	L = 50 mm				L = 76 mm				L = 100 mm				L = 150 mm			
	sch. 40	sch. 80	sch. 160	XXS	sch. 40	sch. 80	sch. 160	XXS	sch. 40	sch. 80	sch. 160	XXS	sch. 40	sch. 80	sch. 160	XXS
1/4"	0.032	0.040	-	-	0.048	0.061	-	-	0.063	0.080	-	-	0.095	0.121	-	-
3/8"	0.042	0.055	-	-	0.064	0.084	-	-	0.084	0.110	-	-	0.127	0.167	-	-
1/2"	0.064	0.081	0.098	0.128	0.097	0.123	0.148	0.194	0.127	0.162	0.195	0.255	0.192	0.245	0.295	0.386
3/4"	0.085	0.110	0.145	0.182	0.129	0.167	0.221	0.277	0.169	0.220	0.290	0.364	0.256	0.333	0.439	0.552
1"	0.125	0.162	0.212	0.273	0.190	0.246	0.322	0.414	0.250	0.324	0.424	0.545	0.379	0.491	0.642	0.826
1 1/4"	0.170	0.224	0.281	0.389	0.258	0.340	0.427	0.591	0.339	0.447	0.561	0.777	0.514	0.677	0.850	1.177
1 1/2"	0.203	0.271	0.363	0.478	0.308	0.411	0.551	0.727	0.405	0.541	0.725	0.956	0.614	0.820	1.098	1.448
2"	0.272	0.374	0.556	0.672	0.414	0.569	0.845	1.022	0.544	0.748	1.111	1.344	0.824	1.133	1.683	2.036
2 1/2"	0.432	0.571	0.746	1.020	0.656	0.868	1.135	1.551	0.863	1.141	1.492	2.039	1.308	1.729	2.261	3.089
3"	0.565	0.764	1.068	1.384	0.859	1.161	1.624	2.105	1.129	1.527	2.135	2.768	1.711	2.314	3.235	4.194
3 1/2"	0.678	0.932	-	-	1.032	1.417	-	-	1.357	1.863	-	-	2.056	2.823	-	-
4"	0.804	1.116	1.677	2.052	1.222	1.697	2.551	3.120	1.607	2.232	3.354	4.103	2.435	3.382	5.082	6.217

Note:

- Dimensioni in millimetri
- Dimensioni in accordo B 36.10 / B 36.19
- Lunghezza nipples close in accordo ASTM A733
- I pesi sono indicativi

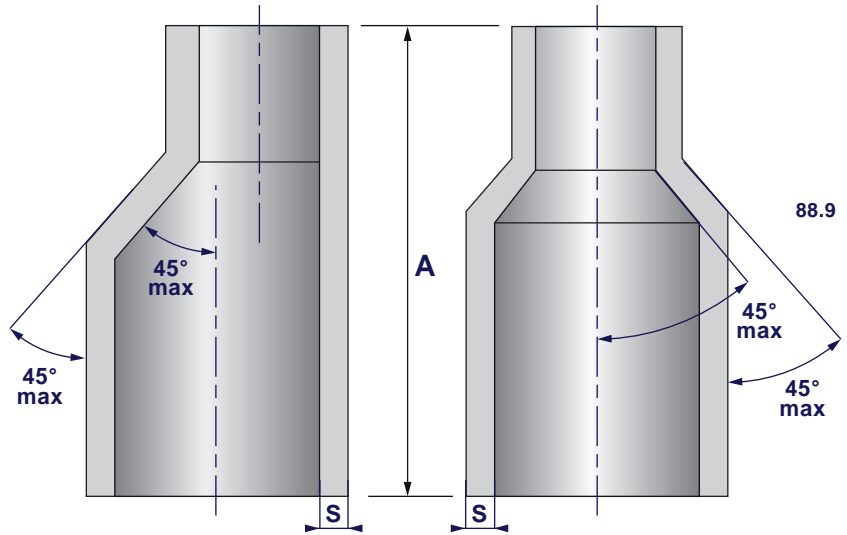
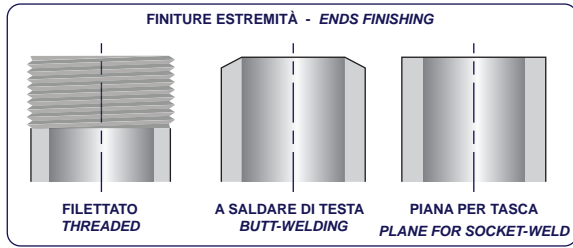
Remarks:

- Dimensions are in millimeters
- Dimensions in compliance with B 36.10 / B 36.19
- Pipe Nipple lengths close in compliance ASTM A733
- Weights are approximate

* Non contemplati dalla normativa B 36.10 ma in accordo alla B 16.11

* Not covered by the regulations B 36.10 but in compliance with B 16.11

NIPPLI TUBO
PIPE NIPPLE



SIZE	DIAMETRO ESTERNO OUTSIDE DIAMETRES		Peso Kg./Cad. Weight Kilos/Each			MSS SP-95			Peso Kg./Cad. Weight Kilos/Each			BS 3799			
	Diametro Maggiore Large Diametres	Diametro Minore Small Diametres	A	A	S	Schedule 40	Schedule 80	Schedule 160	Schedule XXS	Schedule 80	Schedule 160	Schedule XXS	Schedule 80	Schedule 160	Schedule XXS
			MSS-SP-95	BS 3799											
1/4" x 1/8"	13.7	10.3	57	-		0.036	0.046	-	-	-	-	-	-	-	-
3/8" x 1/8"	17.1	10.3	64	76		0.054	0.070	-	-	0.084	-	-	-	-	-
	17.1	13.7	64	76		0.054	0.070	-	-	0.084	-	-	-	-	-
1/2" x 1/4"	21.3	13.7	70	89		0.089	0.110	0.135	0.175	0.145	0.174	0.325	0.145	0.174	0.325
	21.3	17.1	70	89		0.089	0.110	0.135	0.175	0.145	0.174	0.325	0.145	0.174	0.325
3/4" x 3/8"	26.7	13.7	76	95		0.129	0.165	0.215	0.270	0.209	0.276	0.346	0.209	0.276	0.346
	26.7	17.1	76	95		0.129	0.165	0.215	0.270	0.209	0.276	0.346	0.209	0.276	0.346
	26.7	21.3	76	95		0.129	0.165	0.215	0.270	0.209	0.276	0.346	0.209	0.276	0.346
1" x 1/2"	33.4	13.7	89	102		0.223	0.285	0.370	0.480	0.330	0.432	0.556	0.330	0.432	0.556
	33.4	17.1	89	102		0.223	0.285	0.370	0.480	0.330	0.432	0.556	0.330	0.432	0.556
	33.4	21.3	89	102		0.223	0.285	0.370	0.480	0.330	0.432	0.556	0.330	0.432	0.556
	33.4	26.7	89	102		0.223	0.285	0.370	0.480	0.330	0.432	0.556	0.330	0.432	0.556
1 1/4" x 3/4"	42.2	21.3	102	-		0.345	0.450	0.570	0.785	-	-	-	-	-	-
	42.2	26.7	102	-		0.345	0.450	0.570	0.785	-	-	-	-	-	-
	42.2	33.4	102	-		0.345	0.450	0.570	0.785	-	-	-	-	-	-
1 1/2" x 1"	48.3	21.3	114	114		0.462	0.600	0.820	1.050	0.600	0.820	1.050	0.600	0.820	1.050
	48.3	26.7	114	114		0.462	0.600	0.820	1.050	0.600	0.820	1.050	0.600	0.820	1.050
	48.3	33.4	114	114		0.462	0.600	0.820	1.050	0.600	0.820	1.050	0.600	0.820	1.050
	48.3	42.2	114	114		0.462	0.600	0.820	1.050	0.600	0.820	1.050	0.600	0.820	1.050

Spessori e tolleranze vedi pag. 29
 Thickness and tolerance see pag. 29

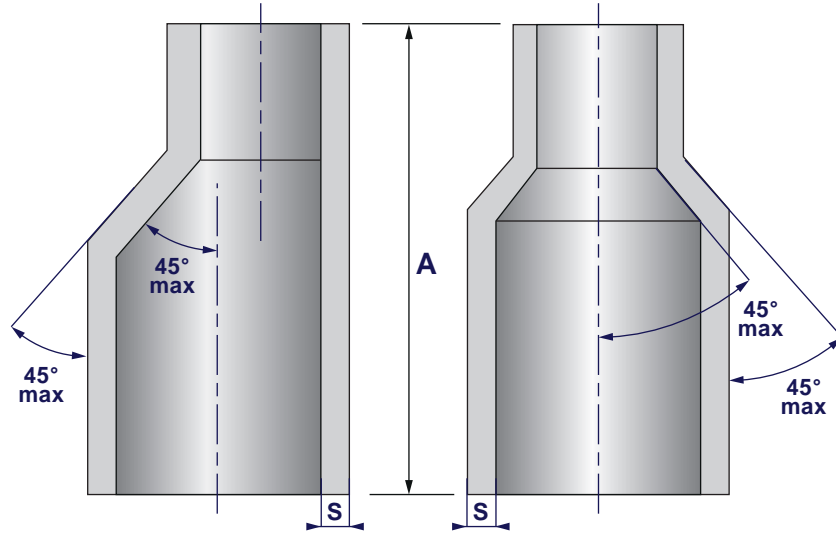
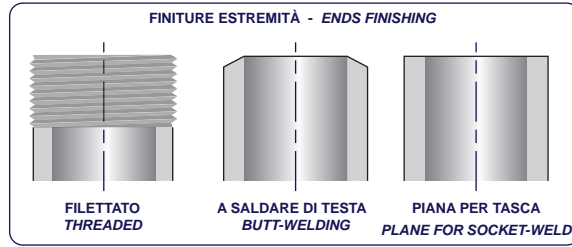
Quate puramente indicative, Omsa si riserva di modificarle
 Dimensions purely indicative, Omsa reserves the right to modify

Note:

- Dimensioni in millimetri
- Dimensioni in accordo MSS SP 95
- I pesi sono indicativi

Remarks:

- Dimensions are in millimeters
- Dimensions in compliance with MSS SP 95
- Weights are approximate



SIZE	DIAMETRO ESTERNO OUTSIDE DIAMETRES		Peso Kg./Cad. Weight Kilos/Each				MSS SP-95			Peso Kg./Cad. Weight Kilos/Each			BS 3799
	Diametro Maggiore Large Diametres	Diametro Minore Small Diametres	A	A	S	Schedule 40	Schedule 80	Schedule 160	Schedule XXS	Schedule 80	Schedule 160	Schedule XXS	
			MSS SP-95	BS 3799									
2" x 1"	1/2"	60.3	21.3	165	165	0.897	1.200	1.800	2.200	1.200	1.800	2.200	
	3/4"	60.3	26.7	165	165	0.897	1.200	1.800	2.200	1.200	1.800	2.200	
	1"	60.3	33.4	165	165	0.897	1.200	1.800	2.200	1.200	1.800	2.200	
	1 1/4"	60.3	42.2	165	165	0.897	1.200	1.800	2.200	1.200	1.800	2.200	
	1 1/2"	60.3	48.3	165	165	0.897	1.200	1.800	2.200	1.200	1.800	2.200	
2 1/2" x 1 1/4"	3/4"	73.0	26.7	178	178	1.541	2.000	2.600	3.600	2.000	2.600	3.600	
	1"	73.0	33.4	178	178	1.541	2.000	2.600	3.600	2.000	2.600	3.600	
	1 1/4"	73.0	42.2	178	178	1.541	2.000	2.600	3.600	2.000	2.600	3.600	
	1 1/2"	73.0	48.3	178	178	1.541	2.000	2.600	3.600	2.000	2.600	3.600	
	2"	73.0	60.3	178	178	1.541	2.000	2.600	3.600	2.000	2.600	3.600	
3" x 1 1/2"	3/4"	88.9	26.7	203	203	2.300	3.000	4.300	5.500	3.000	4.300	5.500	
	1"	88.9	33.4	203	203	2.300	3.000	4.300	5.500	3.000	4.300	5.500	
	1 1/4"	88.9	42.2	203	203	2.300	3.000	4.300	5.500	3.000	4.300	5.500	
	1 1/2"	88.9	48.3	203	203	2.300	3.000	4.300	5.500	3.000	4.300	5.500	
	2"	88.9	60.3	203	203	2.300	3.000	4.300	5.500	3.000	4.300	5.500	
2 1/2"	88.9	73.0	203	203	2.300	3.000	4.300	5.500	3.000	4.300	5.500		
4" x 1 1/2"	1"	114.3	33.4	229	229	3.737	5.000	7.500	9.200	5.000	7.500	9.200	
	1 1/4"	114.3	42.2	229	229	3.737	5.000	7.500	9.200	5.000	7.500	9.200	
	1 1/2"	114.3	48.3	229	229	3.737	5.000	7.500	9.200	5.000	7.500	9.200	
	2"	114.3	60.3	229	229	3.737	5.000	7.500	9.200	5.000	7.500	9.200	
	2 1/2"	114.3	73.0	229	229	3.737	5.000	7.500	9.200	5.000	7.500	9.200	
3"	114.3	88.9	229	229	3.737	5.000	7.500	9.200	5.000	7.500	9.200		

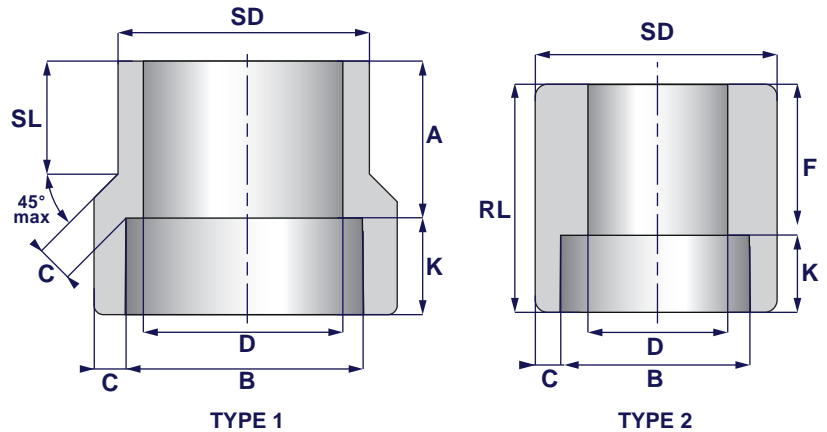
Spessori e tolleranze vedi pag. 29
Thickness and tolerance see pag. 29

Note:

- Dimensioni in millimetri
- Dimensioni in accordo MSS SP 95
- I pesi sono indicativi

Remarks:

- Dimensions are in millimeters
- Dimensions in compliance with MSS SP 95
- Weights are approximate



NORMAL PIPE SIZE	Type		B	K Min.	SD		A		D		C Min.		SL		RL Min.		Peso Kg./Cad. Weight Kilos/Each	
	3M	6M			3M	6M	3M	6M	3M	6M	3M	6M	3M	6M	3M	6M	3M	6M
	$\frac{3}{8}$ " x $\frac{1}{4}$ "	1			1	14.4	9.5	17.1	19.0	21.3	9.2	6.3	3.78	4.60	14.2	15.7	-	-
$\frac{1}{2}$ " x $\frac{3}{8}$ "	1	1	14.4	9.5	21.3	20.6	20.6	9.2	6.3	3.78	4.60	15.7	15.7	-	-	0.080	0.110	
	1	1	17.8	9.5	21.3	20.6	20.6	12.5	9.1	4.01	5.03	15.7	15.7	-	-	0.085	0.120	
$\frac{3}{4}$ " x $\frac{1}{2}$ "	2	2	14.4	9.5	26.7	17.5	22.4	9.2	6.3	3.78	4.60	-	-	26.9	32.0	0.100	0.130	
	2	1	17.8	9.5	26.7	15.7	22.4	12.5	9.1	4.01	5.03	-	19.0	26.9	-	0.100	0.170	
	1	1	22.0	9.5	26.7	22.4	25.4	15.8	11.7	4.67	5.97	17.5	19.0	-	-	0.140	0.200	
1" x $\frac{3}{4}$ "	2	2	14.4	9.5	33.4	19.0	23.9	9.2	6.3	3.78	4.60	-	-	28.4	33.2	0.150	0.210	
	2	2	17.8	9.5	33.4	17.5	22.4	12.5	9.1	4.01	5.03	-	-	28.4	33.2	0.150	0.210	
	2	1	22.0	9.5	33.4	15.7	28.4	15.8	11.7	4.67	5.97	-	20.6	28.4	-	0.165	0.290	
	1	1	27.4	12.5	33.4	23.9	28.4	20.9	15.5	4.90	6.96	19.0	20.6	-	-	0.200	0.330	
1 $\frac{1}{4}$ " x $\frac{3}{4}$ "	2	2	14.4	9.5	42.2	22.4	25.4	6.3	9.2	3.78	4.60	-	-	31.7	34.7	0.230	0.365	
	2	2	17.8	9.5	42.2	20.6	23.9	12.5	9.1	4.01	5.03	-	-	31.7	34.7	0.230	0.365	
	2	2	22.0	9.5	42.2	19.0	22.4	15.8	11.7	4.67	5.97	-	-	31.7	34.7	0.230	0.365	
	2	2	27.4	12.5	42.2	17.5	20.6	20.9	15.5	4.90	6.96	-	-	31.7	34.7	0.260	0.380	
1 $\frac{1}{2}$ " x 1"	1	1	34.1	12.5	42.2	25.4	30.2	26.6	20.7	5.69	7.92	20.6	22.4	-	-	0.350	0.520	
	2	2	17.8	9.5	48.2	22.4	28.4	12.5	9.1	4.01	5.03	-	-	33.2	39.6	0.370	0.490	
	2	2	22.0	9.5	48.2	20.6	26.9	15.8	11.7	4.67	5.97	-	-	33.2	39.6	0.370	0.490	
	2	2	27.4	12.5	48.2	19.0	25.4	20.9	15.5	4.90	6.96	-	-	33.2	39.6	0.360	0.500	
	2	1	34.1	12.5	48.2	17.5	29.2	26.6	20.7	5.69	7.92	-	25.4	33.2	-	0.380	0.650	
1 $\frac{1}{4}$ "	1	1	42.9	12.5	48.2	28.4	35.0	35.0	29.4	6.07	7.92	22.4	25.4	-	-	0.420	0.650	

TOLLERANZE - TOLLERANCE

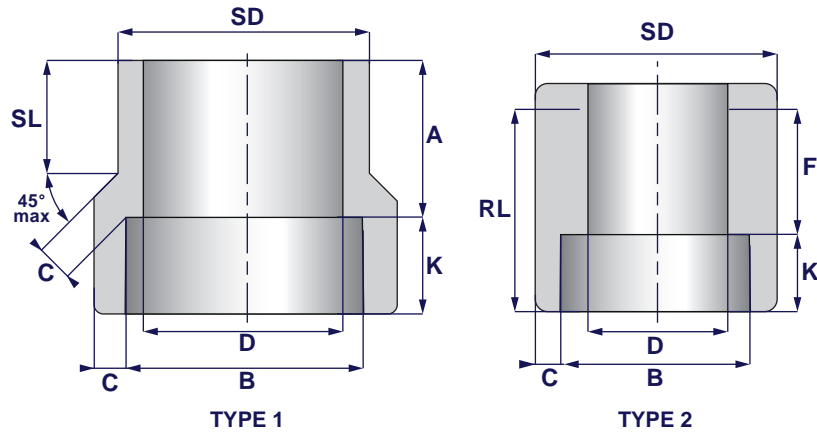
A		B		D	
Sizes 3/8 - 3/4	+1.5/-0.00	Sizes 1/4 - 1 1/2	+0.20/-0.20	Sizes 1/4 - 2	+0.80/-0.80
Sizes 1 - 2	+2.0/-0.00	Sizes 2 - 3	+0.30/-0.20	Sizes 2 1/2 - 3	+1.5/-1.5
Sizes 2 1/4 - 4	+2.5/-0.00				
SD		SL			
Sizes 3/8 - 1 1/2	+0.25/-0.25	Sizes 3/8 - 3/4	+0.00/-1.50		
Sizes 2 - 3	+0.50/-0.50	Sizes 1 - 2	+0.00/-2.00		
Sizes 4	+0.80/-0.80	Sizes 2 1/2 - 4	+0.00/-2.50		

Note:

- Dimensioni in millimetri
- Dimensioni in accordo MSS SP 79
- I pesi sono indicativi

Remarks:

- Dimensions are in millimeters
- Dimensions in compliance with MSS SP 79
- Weights are approximate



NORMAL PIPE SIZE	Type		B	K Min.	SD	A				D		C Min.		SL		RL Min.		Peso Kg./Cad. Weight Kilos/Each	
	3M	6M				3M	6M	3M	6M	3M	6M	3M	6M	3M	6M	3M	6M	3M	6M
	1/2"	2				2	22.0	9.5	60.3	25.4	28.4	15.8	11.7	4.67	5.97	-	-	38.1	41.1
2" x	3/4"	2	27.4	12.5	60.3	23.9	26.9	20.9	15.5	4.90	6.96	-	-	38.1	41.1	0.600	0.850		
	1"	2	34.1	12.5	60.3	22.4	25.4	26.6	20.7	5.69	7.92	-	-	38.1	41.1	0.600	0.860		
	1 1/4"	2	42.9	12.5	60.3	20.6	23.9	35.0	29.4	6.07	7.92	-	-	38.1	41.1	0.560	0.820		
	1 1/2"	1	49.0	12.5	60.3	31.8	38.9	40.8	33.9	6.35	8.92	25.4	28.7	-	-	0.670	1.050		
2 1/2" x	3/4"	2	27.4	12.5	73.0	39.6	38.1	20.9	15.5	4.90	6.96	-	-	53.8	53.8	0.980	1.350		
	1"	2	34.1	12.5	73.0	38.1	38.1	26.6	20.7	5.69	7.92	-	-	53.8	53.8	0.980	1.350		
	1 1/4"	2	42.9	12.5	73.0	36.6	36.6	35.0	29.4	6.07	7.92	-	-	53.8	53.8	0.930	1.350		
	1 1/2"	2	49.0	12.5	73.0	35.0	35.0	40.8	33.9	6.35	8.92	-	-	53.8	53.8	0.900	1.350		
	2"	1	61.4	16.0	73.0	46.0	42.7	52.4	42.8	6.93	10.92	38.1	31.8	-	-	1.000	1.800		
3" x	1"	2	34.1	12.5	88.9	31.8	31.8	26.6	20.7	5.69	7.92	-	-	47.4	53.8	1.550	2.150		
	1 1/4"	2	42.9	12.5	88.9	30.2	31.8	35.0	29.4	6.07	7.92	-	-	47.4	53.8	1.500	2.100		
	1 1/2"	2	49.0	12.5	88.9	28.4	31.8	40.8	33.9	6.35	8.92	-	-	47.4	53.8	1.450	2.100		
	2"	2	61.4	16.0	88.9	25.4	31.8	52.4	42.8	6.93	10.92	-	-	47.4	53.8	1.350	2.100		
	2 1/2"	1	74.1	16.0	88.9	38.1	57.2	62.7	54.0	8.76	11.91	31.8	44.4	-	-	1.650	2.600		
4" x	1 1/4"	2	42.9	12.5	114.3	42.9	-	35.0	-	6.07	-	-	-	60.4	-	2.400	-		
	1 1/2"	2	49.0	12.5	114.3	41.1	-	40.8	-	6.35	-	-	-	60.4	-	2.200	-		
	2"	2	61.4	16.0	114.3	38.1	-	52.4	-	6.93	-	-	-	60.4	-	2.000	-		
	2 1/2"	2	74.1	16.0	114.3	38.1	-	62.7	-	8.76	-	-	-	60.4	-	1.750	-		
	3"	2	90.0	16.0	114.3	33.3	-	77.9	-	9.52	-	-	-	60.4	-	1.500	-		

TOLLERANZE - TOLLERANCE

A		B		D	
Sizes 3/8 - 3/4	+1.5/-0.00	Sizes 1/4 - 1 1/2	+0.20/-0.20	Sizes 1/4 - 2	+0.80/-0.80
Sizes 1 - 2	+2.0/-0.00	Sizes 2 - 3	+0.30/-0.20	Sizes 2 1/2 - 3	+1.5/-1.5
Sizes 2 1/2 - 4	+2.5/-0.00				
SD		SL			
Sizes 3/8 - 1 1/2	+0.25/-0.25	Sizes 3/8 - 3/4	+0.00/-1.50		
Sizes 2 - 3	+0.50/-0.50	Sizes 1 - 2	+0.00/-2.00		
Sizes 4	+0.80/-0.80	Sizes 2 1/2 - 4	+0.00/-2.50		

Note:

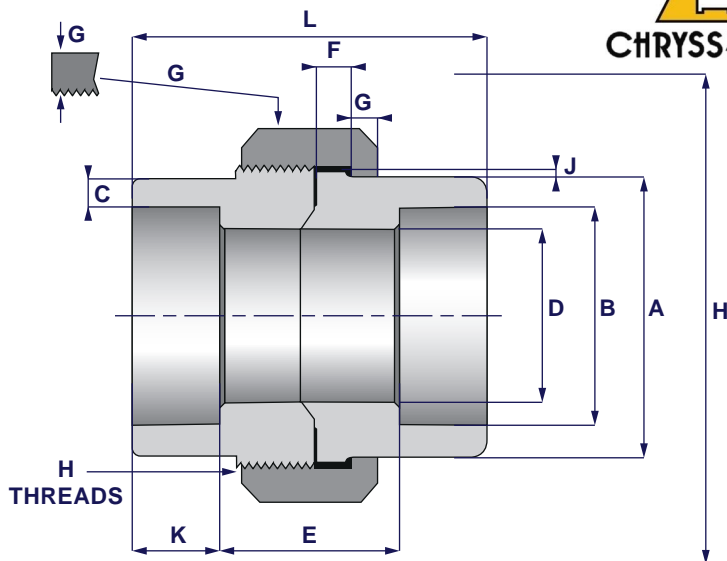
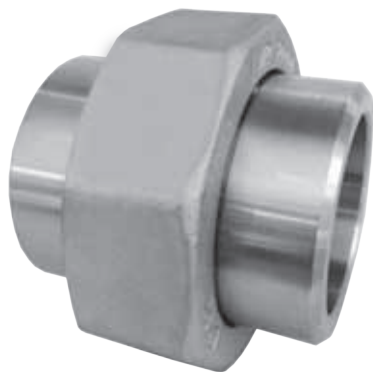
- Dimensioni in millimetri
- Dimensioni in accordo MSS SP 79
- I pesi sono indicativi

Remarks:

- Dimensions are in millimeters
- Dimensions in compliance with MSS SP 79
- Weights are approximate



CHRYSAFIDIS



3000 lbs

SIZE	A		B		C		D		E		F		G		H		J		K		L		N		Peso Kg./Cad. Weight Kilos/Each
	Min.	Max.	Min.	Max.	Min.	Max.	Min.	Max.	Min.	Max.	Min.	Max.	Min.	Max.	Filetti per pollice Threads per inch.	Min.	Max.	Min.	Max.	Min.	Max.	Min.	Max.		
1/8"	21.8	10.6	11.2	3.17	6.07	7.590	19.05	22.35	3.17	3.17	16	1.24	9.650	41.4	50.8	0.170									
1/4"	21.8	14.0	14.6	3.30	8.48	10.00	19.05	22.35	3.17	3.17	16	1.24	9.650	41.4	50.8	0.170									
3/8"	25.9	17.5	18.0	3.50	11.70	13.28	20.57	26.92	3.42	3.42	14	1.37	9.650	45.9	55.9	0.250									
1/2"	31.2	21.7	22.2	4.08	15.03	16.56	20.57	26.92	3.68	3.68	14	1.49	9.650	49.0	58.4	0.330									
3/4"	37.0	27.0	27.6	4.26	20.16	21.69	25.40	31.75	4.06	4.06	11	1.67	12.70	56.9	66.0	0.430									
1"	45.4	33.8	34.3	4.97	25.88	27.41	26.16	34.29	4.57	4.44	11	1.85	12.70	61.9	78.8	0.670									
1 1/4"	54.8	42.5	43.0	5.28	34.29	35.81	32.51	40.64	5.33	5.20	10	2.13	12.70	71.1	93.9	1.150									
1 1/2"	61.4	48.6	49.2	5.53	40.13	41.66	34.04	42.16	5.84	5.58	10	2.31	12.70	76.5	111.7	1.550									
2"	75.2	61.1	61.6	6.04	51.74	53.26	37.34	45.47	6.60	6.35	10	2.69	15.75	86.1	132.0	2.300									
2 1/2"	91.6	73.8	74.4	7.67	61.19	64.24	52.07	61.72	7.49	7.11	8	3.07	15.75	102.4	149.8	5.100									
3"	109.2	89.8	90.4	8.30	76.40	79.45	53.59	63.75	8.25	8.00	8	3.53	15.75	109.0	175.2	6.900									

6000 lbs

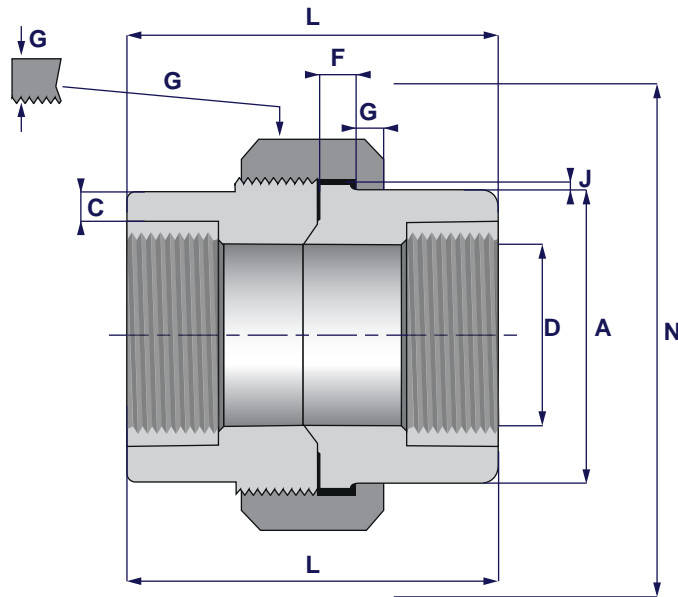
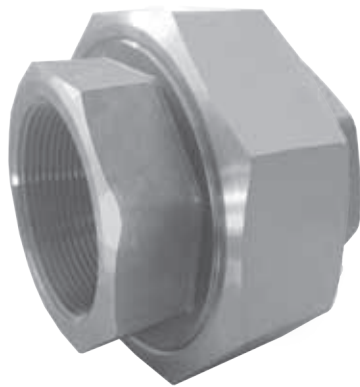
SIZE	A		B		C		D		E		F		G		H		J		K		L		N		Peso Kg./Cad. Weight Kilos/Each
	Min.	Max.	Min.	Max.	Min.	Max.	Min.	Max.	Min.	Max.	Min.	Max.	Min.	Max.	Filetti per pollice Threads per inch.	Min.	Max.	Min.	Max.	Min.	Max.	Min.	Max.		
1/8"	21.8	10.6	11.2	3.42	3.20	4.80	19.05	22.35	3.17	3.17	16	1.24	9.650	41.4	50.8	0.340									
1/4"	25.9	14.0	14.6	4.01	5.58	7.11	20.57	26.92	3.42	3.42	14	1.37	9.650	45.9	55.9	0.340									
3/8"	31.2	17.5	18.0	4.36	8.35	9.88	20.57	26.92	3.68	3.68	14	1.49	9.650	49.0	58.4	0.460									
1/2"	37.0	21.7	22.2	5.18	11.2	12.55	25.40	31.75	4.06	4.06	11	1.67	9.650	56.9	66.0	0.850									
3/4"	45.4	27.0	27.6	6.04	14.78	16.31	26.16	34.29	4.57	4.44	11	1.85	12.70	61.9	78.8	1.150									
1"	54.8	33.8	34.3	6.93	19.94	21.46	32.51	40.64	5.33	5.20	10	2.13	12.70	71.1	93.9	1.900									
1 1/4"	61.4	42.5	43.0	6.93	28.70	30.23	34.04	42.16	5.84	5.58	10	2.31	12.70	76.4	111.7	2.450									
1 1/2"	75.2	48.6	49.2	7.79	33.22	34.75	37.34	45.47	6.60	6.35	10	2.69	12.70	86.1	132.0	3.230									
2"	91.6	61.1	61.6	9.49	42.09	43.61	52.07	61.72	7.49	7.11	8	3.07	15.75	102.3	149.8	5.500									
2 1/2"	109.2	73.8	74.4	10.3	53.21	54.74	53.59	63.75	8.25	8.00	8	3.53	15.75	109.0	175.2	8.400									

Note:

- Dimensioni in millimetri
- Dimensione in accordo MSS SP 83
- I pesi sono indicativi

Remarks:

- Dimensions are in millimeters
- Dimension in compliance with MSS SP 83
- Weights are approximate



3000 lbs

SIZE	A		C		D		F	G	H	J	L	N	Peso Kg./Cad. Weight Kilos/Each
	Min.	Max.	Min.	Max.	Min.	Max.	Min.	Min.	Filetti per pollice Threads per inch.	Min.	Min.	Min.	
1/8"	14.73	8.43	2.41	8.43	6.42	8.43	3.17	3.17	16	1.25	41.40	50.8	0.165
1/4"	19.05	11.13	3.02	11.13	9.45	11.13	3.17	3.17	16	1.25	41.40	50.8	0.165
3/8"	22.86	14.27	3.20	14.27	13.51	14.27	3.42	3.42	14	1.37	45.98	55.9	0.240
1/2"	27.69	17.86	3.73	17.86	17.06	17.86	3.68	3.68	14	1.49	49.02	58.4	0.340
3/4"	33.53	23.01	3.91	23.01	21.39	23.01	4.06	4.06	11	1.67	56.90	66.0	0.430
1"	41.40	28.99	4.54	28.99	27.74	28.99	4.57	4.44	11	1.85	61.98	78.8	0.660
1 1/4"	50.55	37.69	4.85	37.69	35.36	37.69	5.33	5.20	10	2.13	71.12	93.9	1.100
1 1/2"	57.15	43.54	5.08	43.54	41.20	43.54	5.84	5.58	10	2.31	76.45	111.7	1.550
2"	70.10	55.58	5.53	55.58	52.12	55.58	6.60	6.35	10	2.69	86.11	132.0	2.250
2 1/2"	85.34	66.27	7.01	66.27	64.31	66.27	7.49	7.11	8	3.07	102.36	149.8	4.700
3"	102.36	82.55	7.62	82.55	77.27	82.55	8.25	8.00	8	3.53	108.97	175.2	6.400

6000 lbs

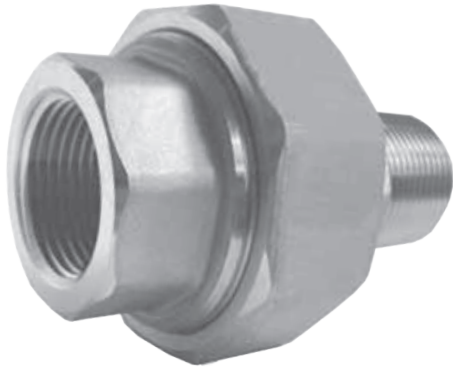
SIZE	A		C		D		F	G	H	J	L	N	Peso Kg./Cad. Weight Kilos/Each
	Min.	Max.	Min.	Max.	Min.	Max.	Min.	Min.	Filetti per pollice Threads per inch.	Min.	Min.	Min.	
1/8"	1.651	8.43	3.15	8.43	3.20	8.43	3.17	3.17	16	1.25	41.4	50.8	0.350
1/4"	2.108	11.13	3.68	11.13	5.59	11.13	3.42	3.42	14	1.37	45.9	50.8	0.350
3/8"	2.515	14.27	4.01	14.27	8.36	14.27	3.68	3.68	14	1.49	49.0	55.9	0.470
1/2"	3.099	17.86	4.78	17.86	11.02	17.86	4.06	4.06	11	1.67	56.8	58.4	0.880
3/4"	3.785	23.01	5.56	23.01	14.78	23.01	4.57	4.44	11	1.85	61.9	66.0	1.150
1"	4.623	28.99	6.35	28.99	19.94	28.99	5.33	5.20	10	2.13	71.1	78.8	2.000
1 1/4"	5.486	37.69	6.35	37.69	28.70	37.69	5.84	5.58	10	2.31	76.4	93.9	2.500
1 1/2"	6.248	43.54	7.14	43.54	33.22	43.54	6.60	6.35	10	2.69	86.1	111.7	3.250
2"	7.772	55.58	8.74	55.58	44.09	55.58	7.49	7.11	8	3.07	102.3	132.0	5.350
2 1/2"	9.220	66.27	9.53	66.27	53.21	66.27	8.25	8.00	8	3.53	108.9	149.8	8.400
3"	11.125	82.55	11.13	82.55	65.89	82.55	10.19	10.19	8	4.06	190.5	175.2	13.250

Note:

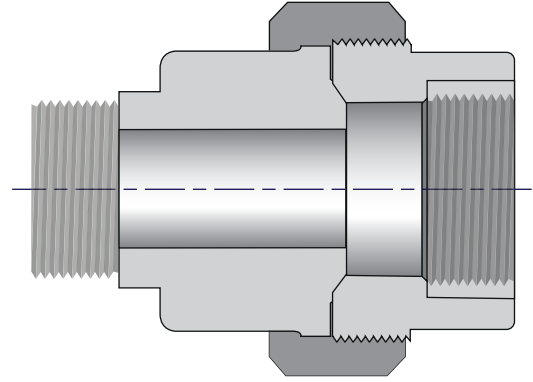
- Dimensioni in millimetri
- Dimensione in accordo MSS SP 83
- I pesi sono indicativi

Remarks:

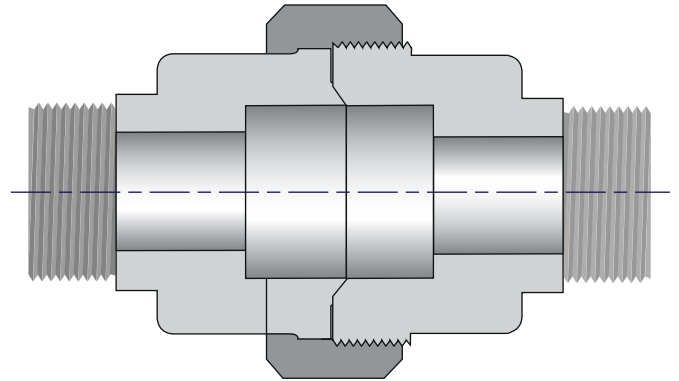
- Dimensions are in millimeters
- Dimension in compliance with MSS SP 83
- Weights are approximate



**BOCCHETTONI F/M
F/M UNIONS**



**BOCCHETTONI F/M
M/M UNIONS**



3000 lbs

SIZE	Peso Kg./Cad. Weight Kilos/Each	
	M/M	F/M
1/4"	0.205	0.185
3/8"	0.290	0.265
1/2"	0.440	0.390
3/4"	0.590	0.510
1"	0.900	0.780
1 1/4"	1.420	1.260
1 1/2"	1.990	1.770
2"	2.950	2.600

6000 lbs

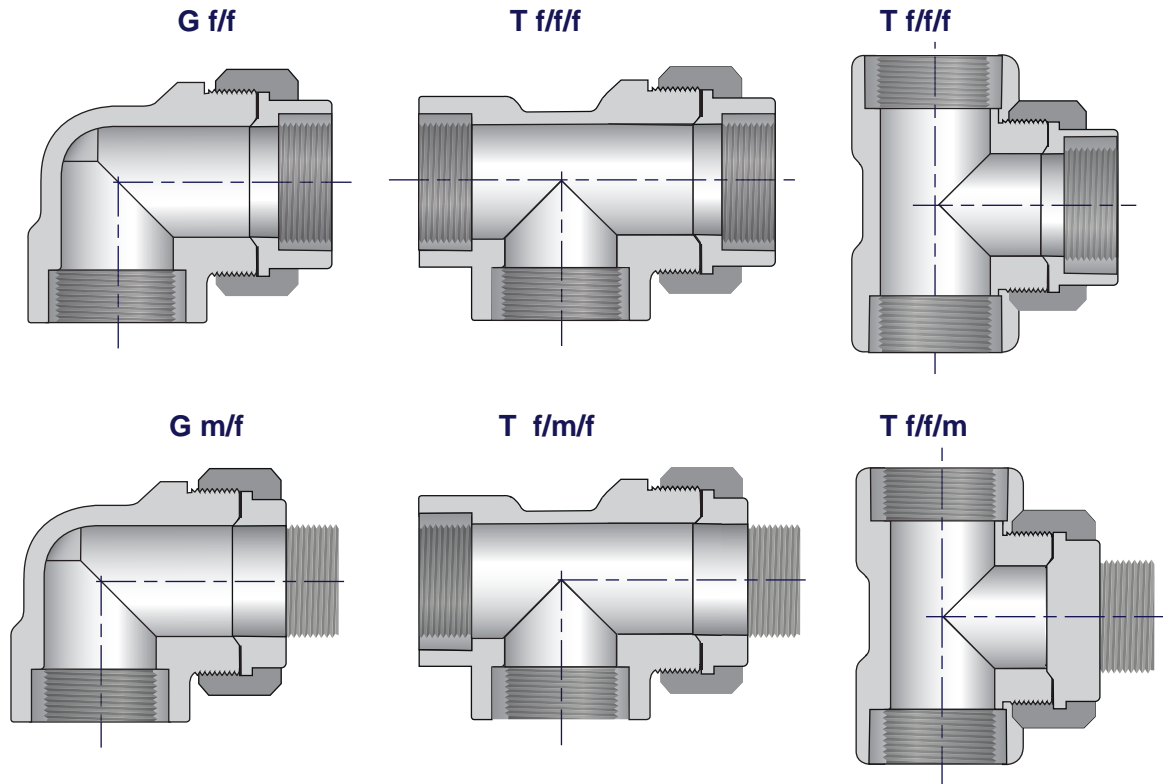
SIZE	Peso Kg./Cad. Weight Kilos/Each	
	M/M	F/M
1/4"	0.390	0.370
3/8"	0.520	0.495
1/2"	0.980	0.930
3/4"	1.310	1.230
1"	2.240	2.120
1 1/4"	2.820	2.660
1 1/2"	3.690	3.470
2"	6.050	5.700

Note:

- Dimensioni in millimetri
- Dimensione in accordo allo standard OMSA
- I pesi sono indicativi

Remarks:

- Dimensions are in millimeters
- Dimension in compliance with OMSA's standard
- Weights are approximate



3000 lbs

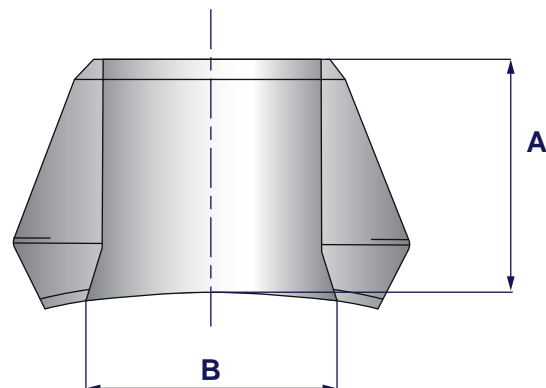
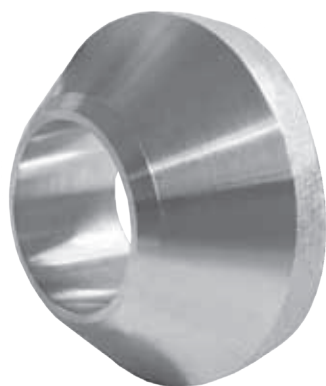
SIZE	Peso Kg./Cad. - Weight Kilos/Each					
	GL f/f	TL f/f/f	TC f/f/f	GL m/f	TC m/f/f	TL m/f/f
1/4"	0.310	0.365	0.365	0.330	0.385	0.385
3/8"	0.520	0.625	0.625	0.545	0.650	0.650
1/2"	0.760	0.840	0.840	0.810	0.890	0.890
3/4"	1.040	1.250	1.250	1.120	1.330	1.330
1"	1.530	1.850	1.850	1.650	1.970	1.970
1 1/4"	2.200	2.600	2.600	2.360	2.760	2.760
1 1/2"	3.530	4.220	4.220	3.750	4.440	4.440
2"	4.200	5.000	5.000	4.550	5.350	5.350

Note:

- Dimensioni in millimetri
- Dimensione in accordo allo standard OMSA
- I pesi sono indicativi

Remarks:

- Dimensions are in millimeters
- Dimension in compliance with OMSA's standard
- Weights are approximate



SIZE	Standard reducing			Extra Strong reducing			Schedule 160 - XXS reducing		
	A	B	Peso Kg./Cad. Weight Kilos/Each	A	B	Peso Kg./Cad. Weight Kilos/Each	A	B	Peso Kg./Cad. Weight Kilos/Each
1/8"	15.7	16.0	-	15.7	16.0	-	-	-	-
1/4"	15.7	16.0	-	15.7	16.0	-	-	-	-
3/8"	19.1	19.0	-	19.1	19.0	-	-	-	-
1/2"	19.1	24.0	0.07	19.1	24.0	0.07	28.4	14	0.15
3/4"	22.4	30.0	0.12	22.4	30.0	0.12	31.8	19	0.32
1"	26.9	36.5	0.18	26.9	36.5	0.18	38.1	25.5	0.38
1 1/4"	31.8	44.5	0.32	31.8	44.5	0.32	44.4	33.5	0.60
1 1/2"	33.3	51.0	0.36	33.3	51.0	0.40	50.8	38	0.85
2"	38.1	65.0	0.70	38.1	65.0	0.72	55.4	43	1.00
2 1/2"	41.1	76.0	1.10	41.1	76.0	1.13	62.0	54	1.70
3"	44.4	93.5	1.70	44.4	93.5	1.85	73.2	73	2.95
3 1/2"	47.8	101.5	2.25	47.8	101.5	2.30	-	-	-
4"	50.8	120.5	3.05	50.8	120.5	3.40	84.1	98.5	4.95
5"	57.2	141.0	4.85	57.2	141.0	5.00	93.7	122	6.80
6"	60.4	170.0	7.50	77.7	170.0	10.4	104.6	146	13.7
8"	69.8	220.5	12.7	98.6	220.5	21.0	-	-	-
10"	77.7	274.5	20.0	93.7	265.0	25.4	-	-	-
12"	85.9	325.5	29.4	103.1	316.0	35.0	-	-	-
14"	88.9	357.0	31.8	100.1	351.0	39.0	-	-	-
16"	93.7	408.0	41.7	106.2	402.0	52.0	-	-	-
18"	96.8	459.0	56.7	111.2	452.0	59.0	-	-	-
20"	101.6	510.0	79.3	119.1	503.0	84.7	-	-	-
24"	115.8	611.0	127	139.7	605.0	146	-	-	-

TOLLERANZE - TOLLERANCE

A	
6 - 20	± 0.8 mm
25 - 100	± 1.6 mm
125 - 300	± 3.2 mm
350 - 600	± 4.8 mm

Note:

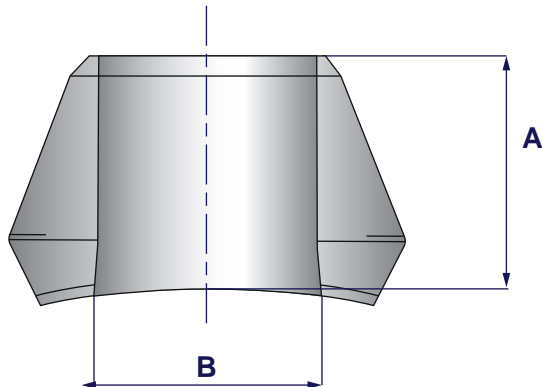
- Dimensioni in millimetri
- Dimensione in accordo MSS SP 97
- I pesi sono indicativi

Remarks:

- Dimensions are in millimeters
- Dimension in compliance with MSS SP 97
- Weights are approximate



CHRYSSAFIDIS



SIZE	Standard full			Extra Strong full			Schedule 160 - XXS full		
	A	B	Peso Kg./Cad. Weight Kilos/Each	A	B	Peso Kg./Cad. Weight Kilos/Each	A	B	Peso Kg./Cad. Weight Kilos/Each
1/2"	19.1	16.0	0.07	19.1	14.0	0.07	28.4	11.5	0.15
3/4"	22.4	20.5	0.12	22.4	19.0	0.12	31.8	15.5	0.32
1"	26.9	26.0	0.18	26.9	24.0	0.18	38.1	21.0	0.38
1 1/4"	31.8	35.0	0.32	31.8	32.0	0.32	44.4	29.5	0.60
1 1/2"	33.3	41.0	0.36	33.3	38.0	0.40	50.8	34.0	0.85
2"	38.1	52.5	0.70	38.1	49.0	0.72	55.4	43.0	1.00
2 1/2"	41.1	62.0	1.10	41.1	59.0	1.13	62.0	54.0	1.70
3"	44.4	78.0	1.70	44.4	73.5	1.85	73.2	66.5	2.95
3 1/2"	50.8	90.5	2.25	50.8	85.0	2.30	-	-	-
4"	50.8	101.5	3.05	50.8	97.0	3.40	84.1	87.0	4.95
5"	57.2	128.5	4.85	57.2	122.0	5.00	93.7	109.5	6.80
6"	60.4	154.0	7.50	77.7	146.0	10.4	104.6	132	13.7
8"	69.8	121.5	12.7	98.6	193.5	21.0	-	-	-
10"	77.7	254.0	20.0	88.9	247.5	25.4	-	-	-
12"	85.9	304.5	29.4	100.1	289.5	35.0	-	-	-
14"	88.9	336.5	31.8	104.6	330.0	39.0	-	-	-
16"	93.7	387.5	41.7	112.8	381.0	52.0	-	-	-
18"	103.1	438.0	56.7	119.1	432.0	59.0	-	-	-
20"	117.3	489.0	79.3	127.0	482.5	84.7	-	-	-
24"	136.6	590.5	127	139.7	584.0	146	-	-	-

TOLLERANZE - TOLERANCE

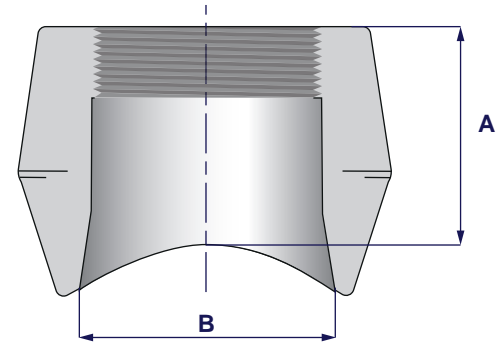
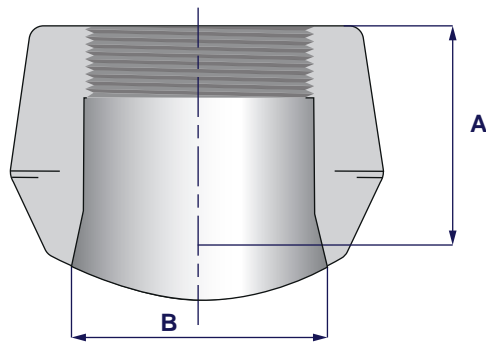
A	
6 - 20	± 0.8 mm
25 - 100	± 1.6 mm
125 - 300	± 3.2 mm
350 - 600	± 4.8 mm

Note:

- Dimensioni in millimetri
- Dimensione in accordo MSS SP 97
- I pesi sono indicativi

Remarks:

- Dimensions are in millimeters
- Dimension in compliance with MSS SP 97
- Weights are approximate



3000 lbs

SIZE	A	B	Peso Kg./Cad. Weight Kilos/Each
1/8"	19.0	16.0	-
1/4"	19.0	16.0	-
3/8"	20.5	19.0	-
1/2"	25.5	24.0	0.12
3/4"	27.0	30.0	0.19
1"	33.5	36.5	0.31
1 1/4"	33.5	44.5	0.45
1 1/2"	35.0	51.0	0.50
2"	38.0	65.0	0.87
2 1/2"	51.0	76.0	1.50
3"	54.0	93.5	2.15
4"	57.0	120.5	3.50

6000 lbs

SIZE	A	B	Peso Kg./Cad. Weight Kilos/Each
1/8"	-	-	-
1/4"	28.5	14.0	-
3/8"	28.5	14.0	-
1/2"	31.5	19.0	0.30
3/4"	36.5	25.5	0.50
1"	39.5	33.5	0.90
1 1/4"	39.5	38.0	0.85
1 1/2"	43.0	49.0	1.45
2"	52.5	59.0	2.75

TOLLERANZE - TOLLERANCE

A	
6 - 20	± 0.8 mm
25 - 100	± 1.6 mm

Note:

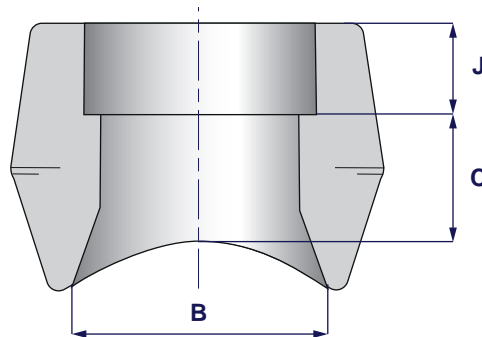
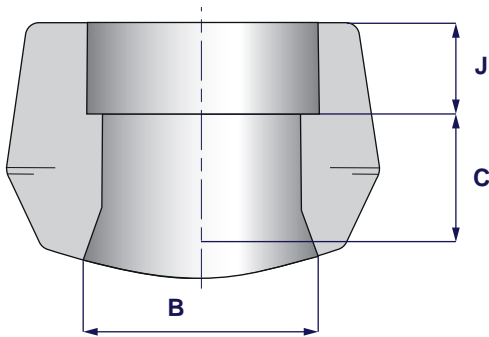
- Dimensioni in millimetri
- Dimensione in accordo MSS SP 97
- I pesi sono indicativi

Remarks:

- Dimensions are in millimeters
- Dimension in compliance with MSS SP 97
- Weights are approximate



CHRYSSAFIDIS



3000 lbs

SIZE	J Min.	C	B	Peso Kg./Cad. Weight Kilos/Each
1/8"	9.5	11.0	16.0	-
1/4"	9.5	11.0	16.0	-
3/8"	9.5	13.0	19.0	-
1/2"	9.5	16.0	24.0	0.12
3/4"	12.5	16.0	30.0	0.19
1"	12.5	23.0	36.5	0.31
1 1/4"	12.5	23.0	44.5	0.45
1 1/2"	12.5	24.0	51.0	0.50
2"	16.0	24.0	65.0	0.87
2 1/2"	16.0	26.0	76.0	1.50
3"	16.0	31.0	93.0	2.15
4"	19.0	31.0	120.5	3.50

6000 lbs

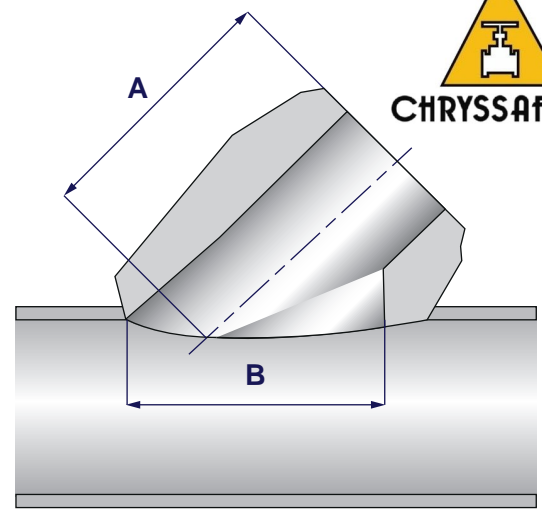
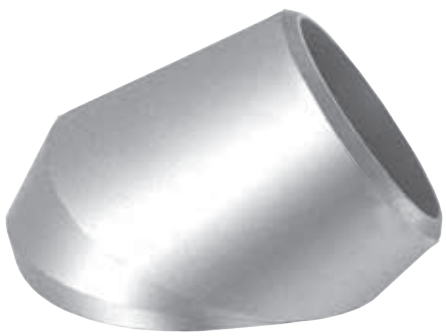
SIZE	J Min.	C	B	Peso Kg./Cad. Weight Kilos/Each
1/2"	9.5	24.0	24.0	0.30
3/4"	12.5	26.0	30.0	0.50
1"	12.5	29.0	36.5	0.90
1 1/4"	12.5	31.0	44.5	0.85
1 1/2"	12.5	32.0	51.0	1.45
2"	16.0	37.0	65.0	2.75

Note:

- Dimensioni in millimetri
- Dimensione in accordo MSS SP 97
- I pesi sono indicativi

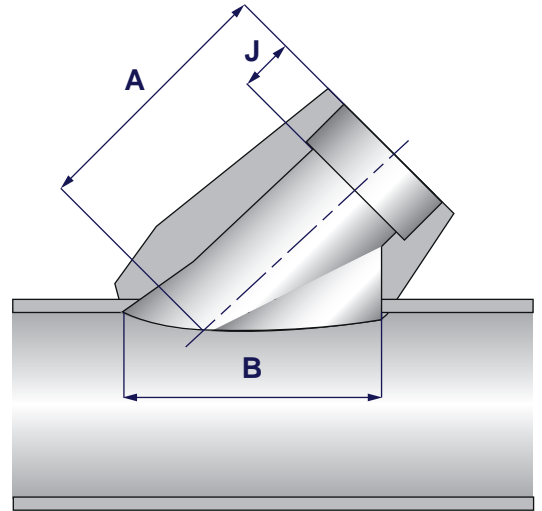
Remarks:

- Dimensions are in millimeters
- Dimension in compliance with MSS SP 97
- Weights are approximate



Standard / Extra Strong

SIZE	A		B	Peso Kg./Cad. Weight Kilos/Each
	Min.	Max.		
1/4"	38.1	42.9	36.5	0.23
3/8"	38.1	42.9	36.5	0.23
1/2"	38.1	42.9	36.5	0.30
3/4"	44.5	50.8	41.0	0.35
1"	54.0	65.1	51.0	0.53
1 1/4"	54.0	65.1	66.5	0.86
1 1/2"	63.5	69.9	73.0	1.20
2"	73.0	88.9	96.0	2.40

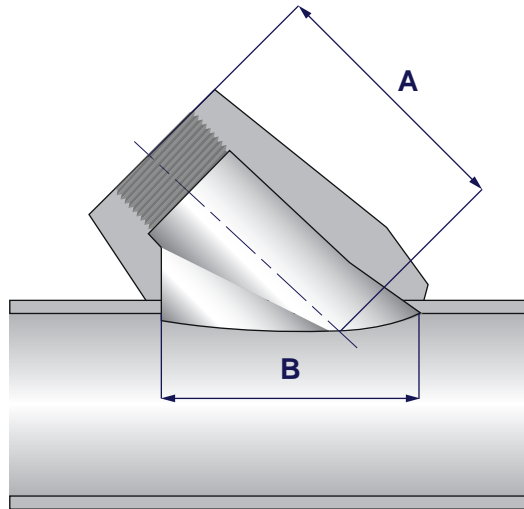


3000 lbs

SIZE	J	A		B	Peso Kg./Cad. Weight Kilos/Each
	Min.	Min.	Max.		
1/4"	9.50	38.1	42.9	36.5	0.23
3/8"	9.50	38.1	42.9	36.5	0.23
1/2"	9.50	38.1	44.5	36.5	0.30
3/4"	12.5	46.0	50.8	41.0	0.35
1"	12.5	54.0	63.5	51.0	0.53
1 1/4"	12.5	61.1	76.2	66.5	0.86
1 1/2"	12.5	63.5	76.2	73.0	1.20
2"	16.0	76.2	84.1	96.0	2.40

6000 lbs

SIZE	J	A		B	Peso Kg./Cad. Weight Kilos/Each
	Min.	Min.	Max.		
1/4"	9.50	38.9	47.6	36.5	0.35
3/8"	9.50	38.9	47.6	36.5	0.35
1/2"	9.50	46.0	55.6	44.5	0.40
3/4"	12.5	54.0	63.5	54.0	0.67
1"	12.5	61.1	73.0	66.5	1.00
1 1/4"	12.5	65.1	77.8	76.0	1.32
1 1/2"	12.5	78.6	85.7	105.0	2.80
2"	16.0	78.6	104.8	111.0	3.60



3000 lbs

SIZE	A		B	Peso Kg./Cad. Weight Kilos/Each
	Min.	Max.		
1/4"	38.1	42.9	36.5	0.23
3/8"	38.1	42.9	36.5	0.23
1/2"	38.1	44.5	36.5	0.30
3/4"	46.0	50.8	41.0	0.35
1"	54.0	63.5	51.0	0.53
1 1/4"	61.1	76.2	66.5	0.86
1 1/2"	63.5	76.2	73.0	1.20
2"	76.2	84.1	96.0	2.40

6000 lbs

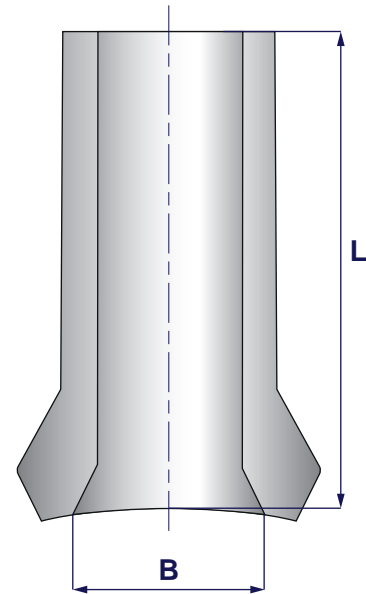
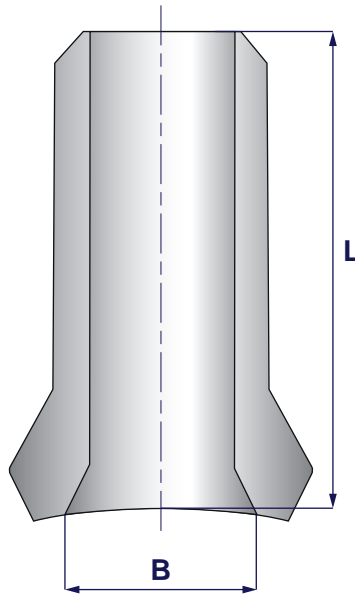
SIZE	A		B	Peso Kg./Cad. Weight Kilos/Each
	Min.	Max.		
1/4"	38.9	47.6	36.5	0.35
3/8"	38.9	47.6	36.5	0.35
1/2"	46.0	55.6	44.5	0.40
3/4"	54.0	63.5	54.0	0.67
1"	61.1	73.0	66.5	1.00
1 1/4"	65.1	77.8	76.0	1.32
1 1/2"	78.6	85.7	105.0	2.80
2"	78.6	104.8	111.0	3.60

Note:

- Dimensioni in millimetri
- Dimensione in accordo MSS SP 97
- I pesi sono indicativi

Remarks:

- Dimensions are in millimeters
- Dimension in compliance with MSS SP 97
- Weights are approximate



SCHEDULA 80

SIZE	B mini	L	Peso Kg./Cad. Weight Kilos/Each
1/4"	16	89	0.20
3/8"	19	89	0.23
1/2"	24	89	0.25
3/4"	30	89	0.40
1"	36.5	89	0.65
1/4"	44.5	89	0.75
1/2"	50.8	89	0.95
2"	65	89	1.45

SCHEDULA 160

SIZE	B mini	L	Peso Kg./Cad. Weight Kilos/Each
1/4"	-	-	-
3/8"	-	-	-
1/2"	14	89	0.25
3/4"	19	89	0.50
1"	25.5	89	0.70
1/4"	33.5	89	0.88
1/2"	38	89	1.15
2"	43	89	1.50

Note:

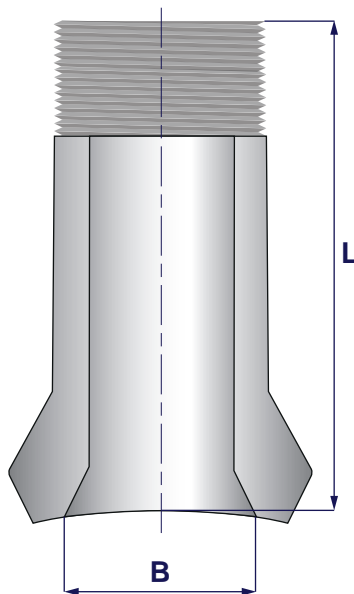
- Dimensioni in millimetri
- Dimensione in accordo MSS SP 97
- I pesi sono indicativi

Remarks:

- Dimensions are in millimeters
- Dimension in compliance with MSS SP 97
- Weights are approximate



CHRYSSAFIDIS



3000 lbs

SIZE	B mini	L	Peso Kg./Cad. Weight Kilos/Each
1/4"	16	89	0.20
3/8"	19	89	0.23
1/2"	24	89	0.25
3/4"	30	89	0.40
1"	36.5	89	0.65
1 1/4"	44.5	89	0.75
1 1/2"	50.8	89	0.95
2"	65	89	1.45

6000 lbs

SIZE	B mini	L	Peso Kg./Cad. Weight Kilos/Each
1/4"	-	-	-
3/8"	-	-	-
1/2"	14	89	0.25
3/4"	19	89	0.50
1"	25.5	89	0.70
1 1/4"	33.5	89	0.88
1 1/2"	38	89	1.15
2"	43	89	1.50

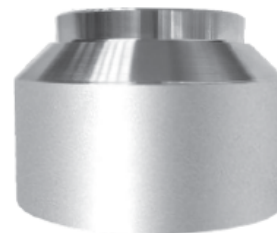
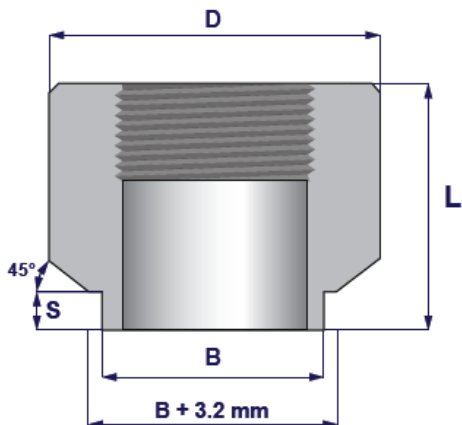
Note:

- Dimensioni in millimetri
- Dimensione in accordo MSS SP 97
- I pesi sono indicativi

Remarks:

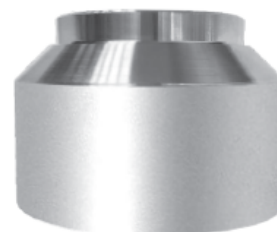
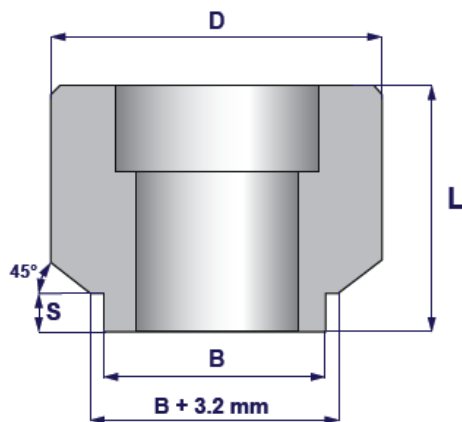
- Dimensions are in millimeters
- Dimension in compliance with MSS SP 97
- Weights are approximate

NIPPOLET FILETTATO
THREADED NIPPOLET



3000 lbs / 6000 lbs

SIZE	L	D	B	S	Peso Kg./Cad. Weight Kilos/Each
¼"	30	28	14	5	0.05
⅜"	30	32	17.4	5	0.095
½"	33.5	38	21.6	5	0.14
¾"	35.5	45	26.9	5	0.22
1"	43	60	33.6	5	0.5
1 ¼"	48	65	42.4	6	0.63
1 ½"	50	80	48.5	7	0.98
2"	57	95	60.9	8	1.59
2 ½"	75	110	73.5	9.5	2.8
3"	90	140	89.4	9.5	5.4



3000 lbs / 6000 lbs

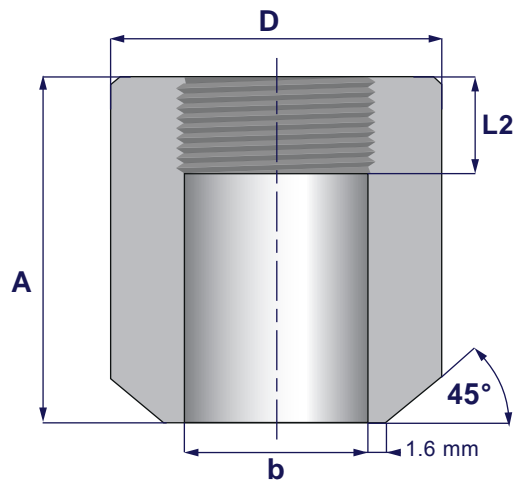
SIZE	L	D	B	S	Peso Kg./Cad. Weight Kilos/Each
¼"	30	28	14	5	0.07
⅜"	30	28	17.4	5	0.07
½"	33.5	35	21.6	5	0.12
¾"	35.5	45	26.9	5	0.22
1"	43	50	33.6	5	0.33
1 ¼"	48	60	42.4	6	0.53
1 ½"	50	70	48.5	7	0.75
2"	57	85	60.9	8	1.27
3"	70	120	89	8	3.12
4"	75	160	114.5	8	5.93

Note:

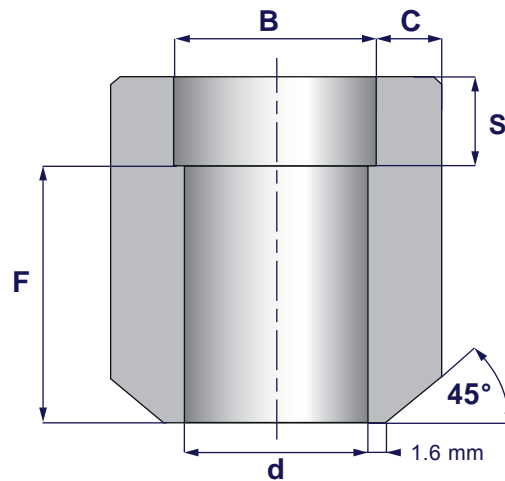
- Dimensioni in millimetri
- Dimensione in accordo allo standard OMSA
- I pesi sono indicativi

Remarks:

- Dimensions are in millimeters
- Dimensions in compliance with OMSA's standard
- Weights are approximate



SIZE	b	A	L2	D		Peso Kg./Cad. Weight Kilos/Each	
				Min.	3000 lbs	6000 lbs	3000 lbs
1/8"	8.4	38	6.70	16	22	0.045	0.100
1/4"	11.1	41	10.21	19	26	0.065	0.140
3/8"	14.2	45	10.36	22	32	0.080	0.230
1/2"	18.0	51	13.56	29	38	0.170	0.360
3/4"	23.0	51	13.86	35	45	0.220	0.470
1"	29.0	51	17.34	45	60	0.370	0.860
1 1/2"	44.0	51	18.38	64	76	0.680	1.200
2"	56.0	51	19.22	76	95	0.820	1.850
2 1/2"	67.0	51	28.89	95	-	1.380	-
3"	82.0	57	30.48	110	-	1.800	-
4"	95.0	64	33.02	140	-	3.100	-



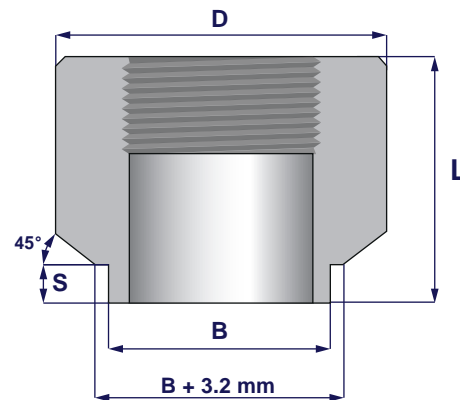
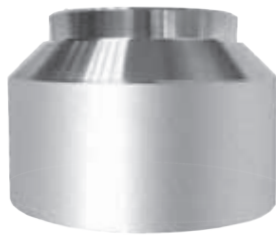
SIZE	B	C		d		F	S	Peso Kg./Cad. Weight Kilos/Each	
		3000 lbs	6000 lbs	3000 lbs	6000 lbs			3000 lbs	6000 lbs
1/8"	10.7	3.2	-	6.8	-	28	10	0.045	-
1/4"	14.1	3.3	-	9.2	-	32	10	0.065	-
3/8"	17.6	3.5	-	12.5	-	34	11	0.080	-
1/2"	21.8	4.1	5.2	15.5	11.8	38	13	0.170	0.385
3/4"	27.4	4.3	6.1	21.0	15.5	38	13	0.220	0.520
1"	34.1	5.0	7.0	26.5	20.7	35	16	0.370	0.920
1 1/2"	49.0	5.6	7.8	40.5	34.0	32	19	0.680	1.300
2"	61.0	6.1	9.5	52.0	43.0	29	22	0.820	2.000
2 1/2"	73.8	7.7	10.4	62.0	54.0	29	22	1.380	2.450
3"	89.7	8.3	12.2	78.0	66.0	29	22	1.800	3.620

Note:

- Dimensione in accordo BS 3799

Remarks:

- Dimension in compliance with BS 3799

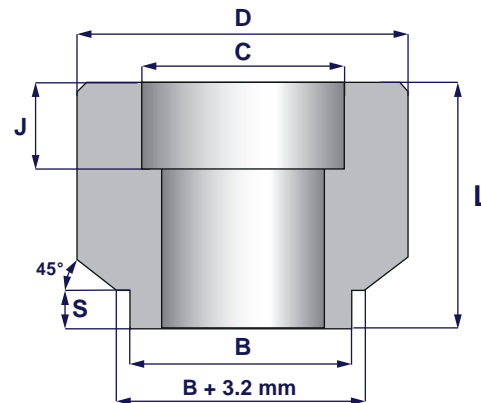
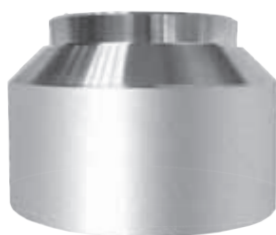


3000 lbs

SIZE	L	D	B	S	Peso Kg./Cad. Weight Kilos/Each
1/4"	30.0	25.0	17.5	9.5	0.05
3/8"	30.0	28.0	20.6	9.5	0.07
1/2"	35.0	35.0	23.8	9.5	0.13
3/4"	35.0	38.0	27.0	9.5	0.15
1"	45.0	50.0	33.3	9.5	0.34
1 1/4"	50.0	60.0	42.8	9.5	0.55
1 1/2"	51.0	65.0	49.2	9.5	0.66
2"	60.0	76.2	61.9	9.5	1.11
4"	65.0	92.0	73.0	9.5	1.78
3"	70.0	110.0	88.9	9.5	2.60

6000 lbs

DN	L	D	B	S	Peso Kg./Cad. Weight Kilos/Each
1/8"	33.0	25.0	14.3	9.5	0.06
1/4"	35.0	28.0	17.5	9.5	0.08
3/8"	35.0	32.0	20.6	9.5	0.11
1/2"	40.0	38.0	23.8	9.5	0.17
3/4"	40.0	45.0	27.0	9.5	0.24
1"	53.0	60.0	33.3	9.5	0.59
1 1/4"	53.0	65.0	42.8	9.5	0.69
1 1/2"	55.0	76.2	49.2	9.5	0.99
2"	65.0	92.0	61.9	9.5	1.80
2 1/2"	70.0	110.0	73.0	9.5	2.60
3"	75.0	140.0	88.9	9.5	4.50



3000 lbs

SIZE	L	D	C Min.	J Min.	B	S	Peso Kg./Cad. Weight Kilos/Each
1/4"	30.0	25.0	14.2	11.1	17.5	9.5	0.05
3/8"	30.0	28.0	17.6	11.1	20.6	9.5	0.07
1/2"	33.5	35.0	21.3	11.1	23.8	9.5	0.13
3/4"	35.0	38.0	27.2	14.5	27	9.5	0.15
1"	45.0	50.0	33.9	14.5	33.3	9.5	0.34
1 1/4"	50.0	60.0	42.7	14.5	42.8	9.5	0.55
1 1/2"	51.0	65.0	48.8	14.5	49.2	9.5	0.66
2"	60.0	76.2	61.2	17.5	61.9	9.5	1.11
2 1/2"	65.0	92.0	73.9	17.5	73.0	9.5	1.78
3"	70.0	108.0	89.8	17.5	88.9	9.5	2.60

6000 lbs

DN	L	D	C min.	J Min.	B	S	Peso Kg./Cad. Weight Kilos/Each
1/4"	31.0	28.0	14.2	11.1	17.5	9.5	0.075
3/8"	31.0	32.0	17.6	11.1	20.6	9.5	0.09
1/2"	33.5	38.0	21.3	11.1	23.8	9.5	0.14
3/4"	35.0	45.0	27.2	14.5	27.0	9.5	0.21
1"	45.0	50.0	33.9	14.5	33.3	9.5	0.34
1 1/4"	50.0	65.0	42.7	14.5	42.8	9.5	0.65
1 1/2"	51.0	76.2	48.8	14.5	49.2	9.5	0.90
2"	58.0	92.0	61.2	17.5	61.9	9.5	1.50
2 1/2"	65.0	108.0	73.9	17.5	73.0	9.5	2.40
3"	70.0	127.0	89.8	17.5	88.9	9.5	3.50

Note:

- Dimensioni in millimetri
- Dimensione in accordo allo standard OMSA
- I pesi sono indicativi

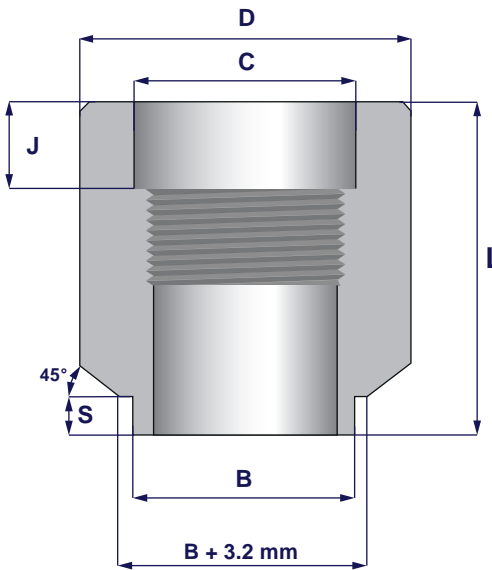
Remarks:

- Dimensions are in millimeters
- Dimensions in compliance with OMSA's standard
- Weights are approximate



CHRYSSAFIDIS

03xxxxA 49/49



3000 lbs

SIZE	L	D	C	J	B	S	Peso Kg./Cad. Weight Kilos/Each
			mini	mini			
1/2"	43	35	21.3	11.1	23.8	9.5	0.16
3/4"	48	38	27.2	14.5	27	9.5	0.21
1"	56	50	33.9	14.5	33.3	9.5	0.4
1 1/4"	61	60	42.7	14.5	42.8	9.5	0.68
1 1/2"	65	65	48.8	14.5	49.2	9.5	0.85
2"	73	76.2	61.2	17.5	61.9	9.5	1.35
2 1/2"	77	92	73.9	17.5	73	9.5	2.13

6000 lbs

SIZE	L	D	C	J	B	S	Peso Kg./Cad. Weight Kilos/Each
			mini	mini			
1/2"	43	38	21.3	11.1	23.8	9.5	0.19
3/4"	48	45	27.2	14.5	27	9.5	0.3
1"	56	60	33.9	14.5	33.3	9.5	0.62
1 1/4"	61	65	42.7	14.5	42.8	9.5	0.8
1 1/2"	65	76.2	48.8	14.5	49.2	9.5	1.2
2"	73	92	61.2	17.5	61.9	9.5	2.0

Note:

- Dimensioni in millimetri
- Dimensioni in accordo allo standard OMSA
- I pesi sono indicativi

Remarks:

- Dimensions are in millimeters
- Dimensions in compliance with OMSA's standard
- Weights are approximate

**BOSS COMBINATO
COMBINATION BOSSES**