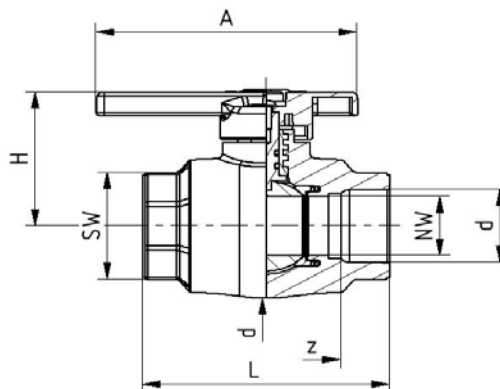


NEW Generation

Compact PP-R CT Ball Valve



Dimensions

d	DN	L	z	D	H	A	SW
20	15	88	58	50	52	100	30
25	20	92	58	54	54	100	38
32	25	96	58	62	58	100	46
40	32	115	74	88	75	145	60
50	40	125	77	106	81	145	66
63	50	150	94	108	90	145	82

Sizes
d = 40 mm
d = 50 mm
d = 63 mm

Free flow, inner diameter of ball valve adapted to the inner diameter of the pipe

The ball valve is suitable for close off, e.g. in industrial and sanitary plants

Nominal Pressure

20 bar - for water at 20°C

10 bar - for water at 70°C

Flow Medium:

High resistance against many media (please refer to the list of chemical resistance)

Optimized sealig system:
 High operational reliability:

Flexible seal gasket for even contact pressure of the ball sealing against the full floating ball
Safely supported ball

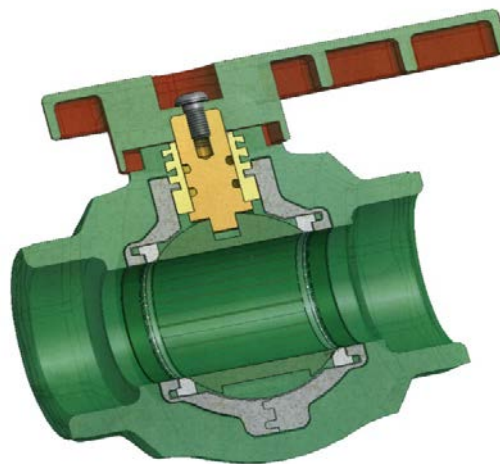
PP-RCT housing

PP ball

PTFE ball sealing

Double EPDM spindle sealings (2 O-rings)

PA handle with changeable marker plugs



(blue = cold water - red = hot water)