



CHRYSSAFIDIS

ΒΑΛΒΙΔΕΣ ΒΕΛΟΝΗΣ  
ΑΝΟΞΕΙΑΔΩΤΕΣ ΒΙΔΩΤΕΣ

6505xxA 1/1



# Screwed End Needle Valves

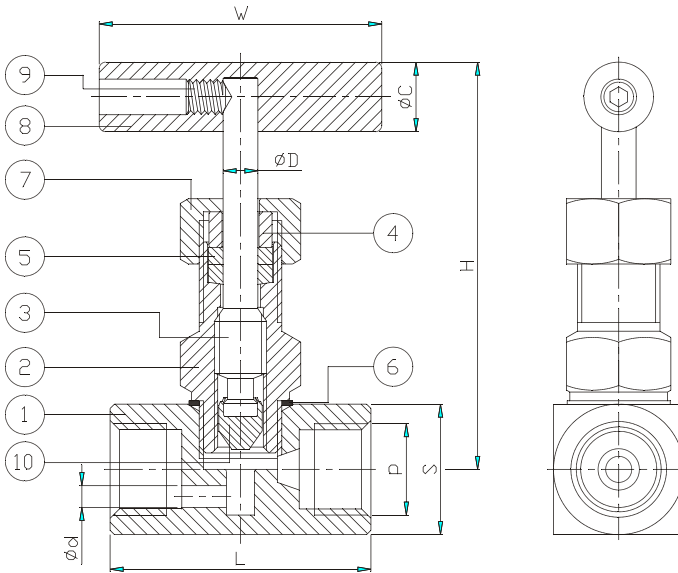
# 2032

## 6000 PSI



### FEATURES

- The thread ends conform to ASME B1.20.1(NPT)  
DIN 2999 & BS 21  
ISO 228/1 & ISO 7/1
- 6000 psi
- PTFE packing
- Investment Casting



Applicable Standard	
Test and Inspection	API 598

ITEM	PARTS	MATERIAL	
1	BODY	AISI 316	CARBON STEEL
2	BONNET	AISI 316	CARBON STEEL
3	STEM	AISI 316	AISI 316
4	GLAND RING	AISI 316	AISI 316
5	PACKING	PTFE	PTFE
6	GASKET	PTFE	PTFE
7	GLAND NUT	AISI 316	S15C
8	HANDLE	AISI 410	AISI 410
9	FIXING SCREW	ALLOY STEEL	ALLOY STEEL
10	DISC	AISI 316	AISI 316

DN	L	H	W	d	D	S	C	P
8	45	65	60	3	7	22	13	1/4"
10	50	67	60	3	7	25	13	3/8"
15	60	86	65	5	8	30	16	1/2"
20	65	88	65	5	8	35	16	3/4"
25	83	100	80	7	10	46	19	1"

unit: m m

NPS	L	H	W	d	D	S	C	P
1/4"	1.77	2.56	2.36	0.12	0.28	0.87	0.51	1/4"
3/8"	1.97	2.64	2.36	0.12	0.28	0.98	0.51	3/8"
1/2"	2.36	3.39	2.56	0.20	0.31	1.18	0.63	1/2"
3/4"	2.56	3.46	2.56	0.20	0.31	1.38	0.63	3/4"
1"	3.27	3.94	3.15	0.28	0.39	1.81	0.75	1"

unit: in

CE DVGW CRN REGISTERED